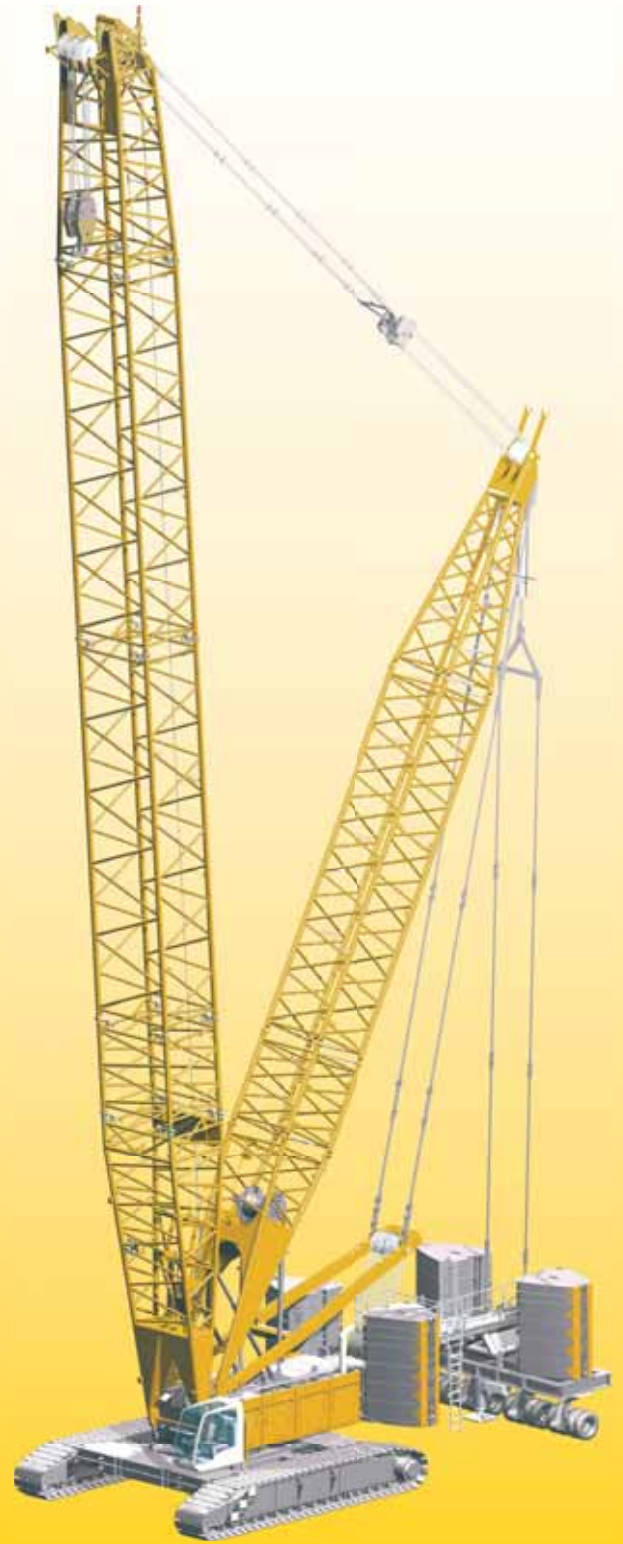


**Technical data**  
**Hydraulic lift crane**

**LR 1300**  
Litronic®

**Derrick equipment**

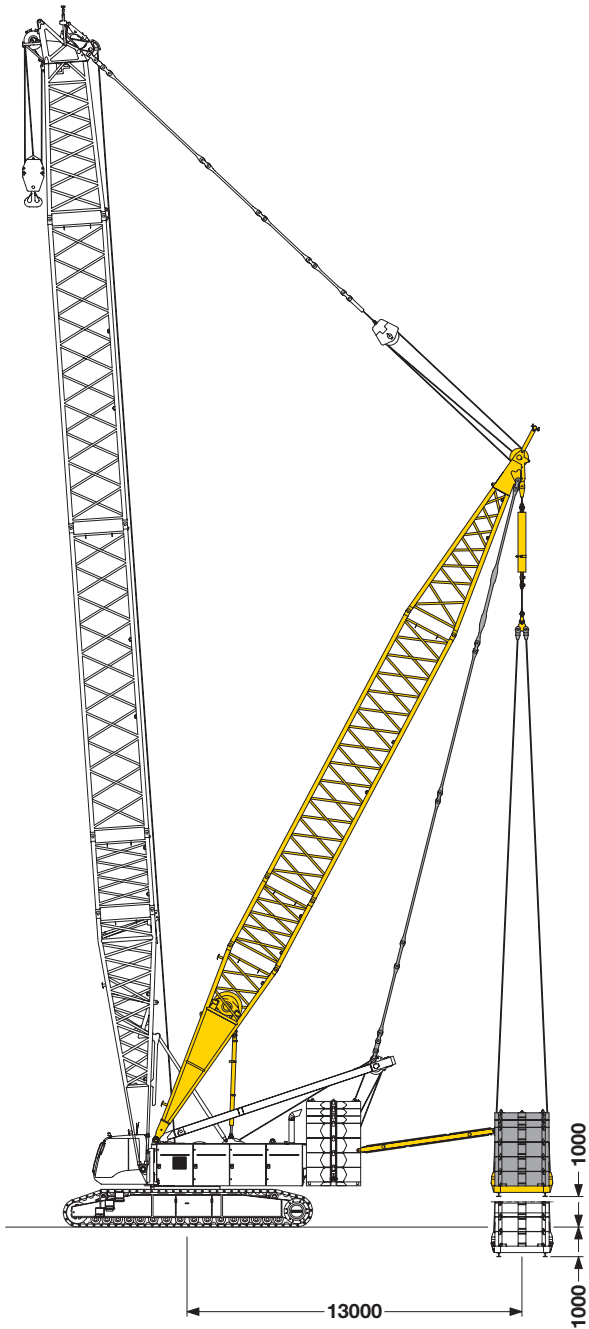


**LIEBHERR**

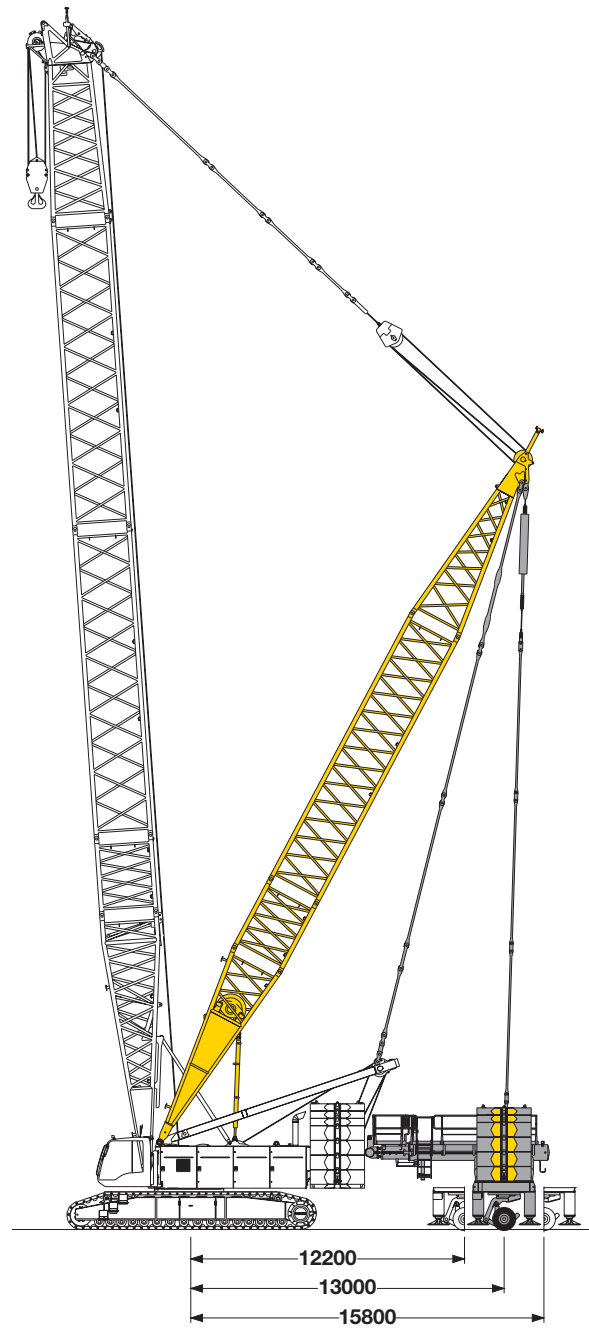
# Dimensions

## Basic machine with derrick equipment

Derrick equipment  
with suspended counterweight

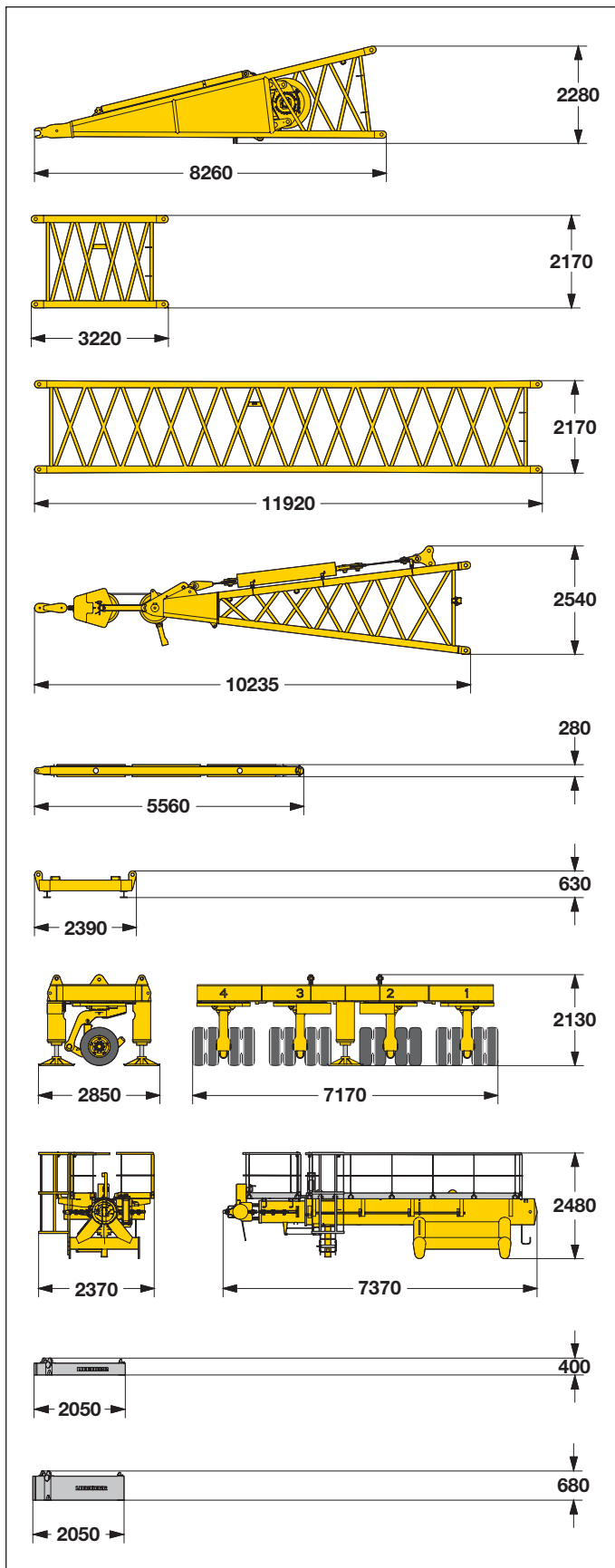


Derrick equipment  
with wheeled counterweight carriage



# Transport dimensions and weights

## Basic machine and boom (No. 2220.xx)



\*) including pendant straps; \*\*) including pendant ropes

### Derrick foot (No. 2220.24)

Width	2420 mm
Weight incl. rope	7800 kg

### Boom section (No. 2220.24)

Width	2420 mm
Weight*	1030 kg

### Boom section (No. 2220.22)

Width	2420 mm
Weight*	2560 kg

### Boom head (No. 2220.22)

Width	2420 mm
Weight*	5400 kg

### Spacer frame

Width	2470 mm
Weight*	495 kg

### Counterweight frame

Width	5050 mm
Weight**	14360 kg

### Wheeled counterweight carriage

Width	2850 mm
Weight*	13155 kg

### Telescopic unit

Width	2370 mm
Weight*	6645 kg

### Counterweight (5 t)

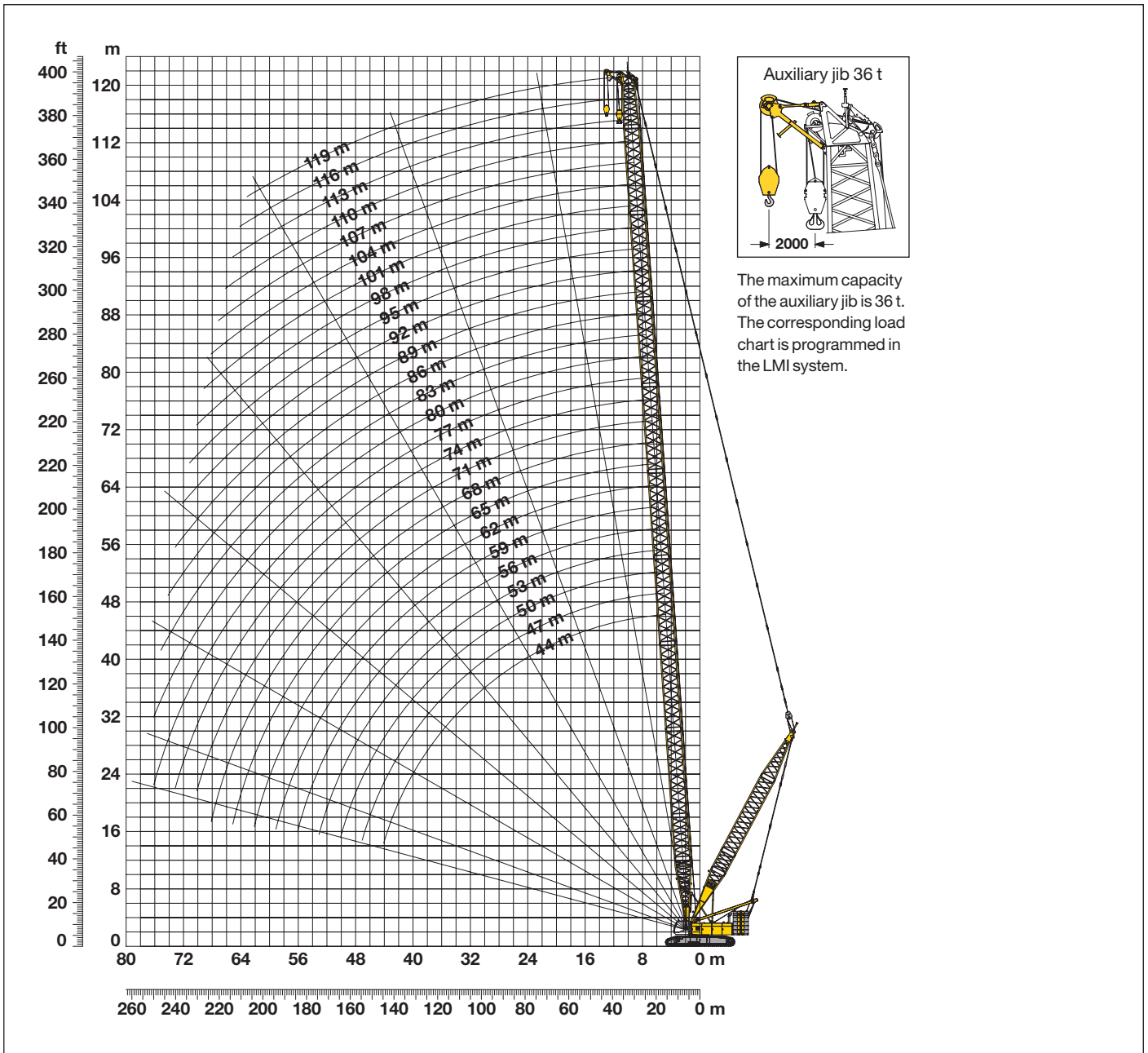
Width	2120 mm
Weight*	5000 kg

### Counterweight (10 t)

Width	2120 mm
Weight*	10000 kg

# Working range - main boom (No.2821.xx) **86° - 15°**

## 124 t counterweight and 57 t carbody counterweight



### Main boom configuration (Table 1 – No. 2821.xx)

Configuration for boom lengths between 44 m and 119 m

	Length																							
Boom foot	10 m	1	1	1	1	1	1	1	1	1	1	1	1	1	1	1	1	1	1	1	1	1	1	1
Boom section	3 m	1		1		1		1		1		1		1		1		1		1		1		1
Boom section	6 m		1	1			1	1			1	1			1	1			1	1			1	1
Boom section	12 m	2	2	2	3	3	3	3	4	4	4	4	5	5	5	5	6	6	6	6	7	7	7	7
Boom head	7 m	1	1	1	1	1	1	1	1	1	1	1	1	1	1	1	1	1	1	1	1	1	1	1
Boom length (m)		44	47	50	53	56	59	62	65	68	71	74	77	80	83	86	89	92	95	98	101	104	107	110

# Lift chart - main boom (No. 2821.xx)

## 124 t counterweight and 57 t carbody counterweight

Capacities in metric tons for boom lengths (44 m - 119 m) - with 215 kN winches  
124 t counterweight and 57 t carbody counterweight

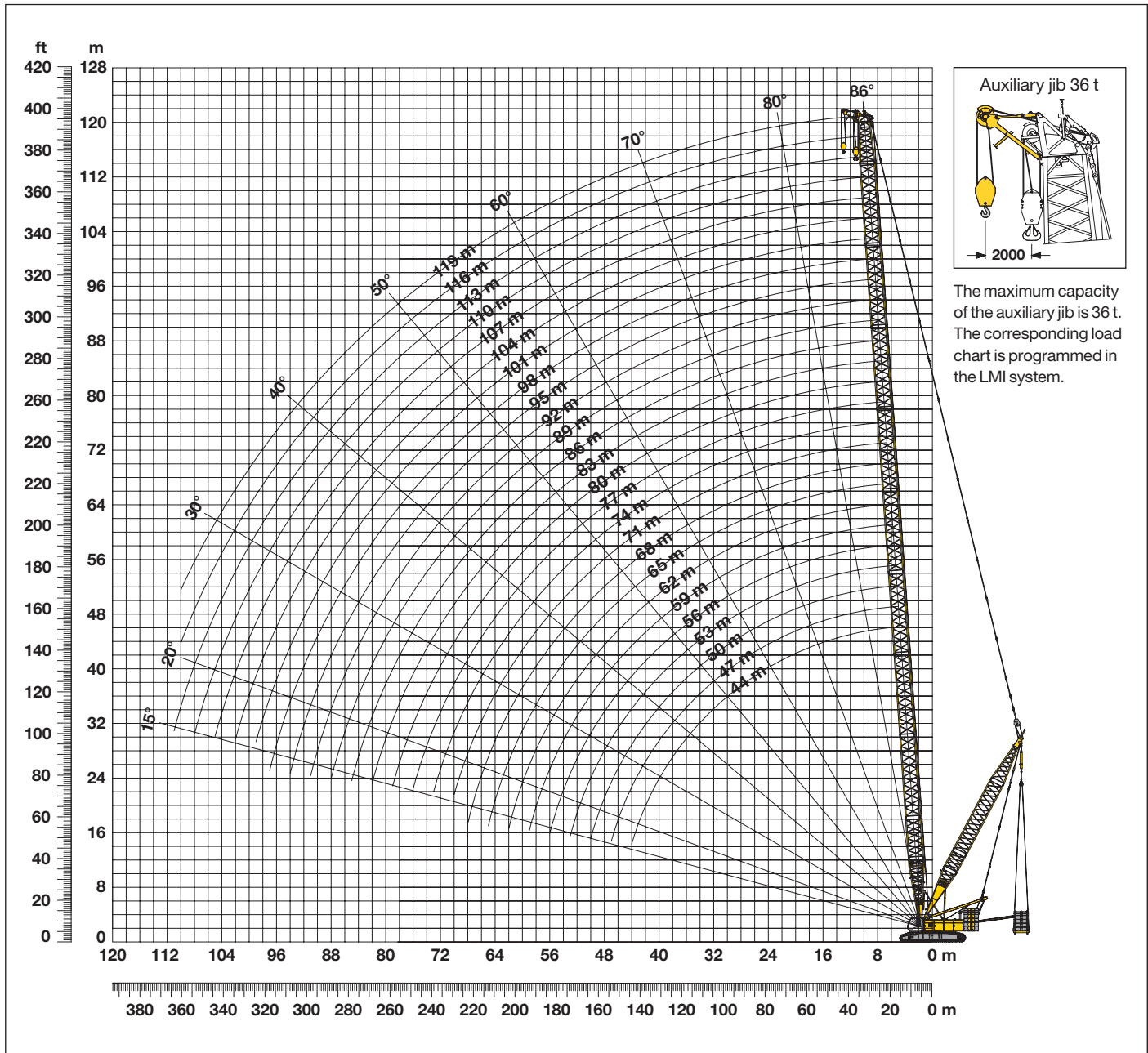
Radius (m)	Boom length in (m)												Radius (m)
	44	50	56	68	74	86	92	98	104	110	113	119	
8.9	t	t	t	t	t	92.2	t	t	t	t	t	t	8.9
9				141.7	129.9	92.2							9
10				123.2	122.8	92.2	79.2	68.5					10
12	98.2	98.0	97.8	97.1	96.7	90.2	77.8	67.7	59.0	51.4	47.9	41.5	12
14	80.6	80.4	80.1	79.4	78.9	78.0	76.5	66.2	57.7	50.4	47.1	41.0	14
16	68.1	67.8	67.5	66.7	66.2	65.2	64.7	64.2	56.6	49.2	45.9	39.7	16
18	63.1	58.4	58.1	57.2	56.7	55.7	55.2	54.6	54.1	48.0	44.8	38.6	18
20	55.3	55.0	50.4	49.5	48.9	47.9	47.4	46.8	46.3	45.7	43.4	36.9	20
22	48.6	48.3	48.1	43.7	43.1	42.1	41.6	41.0	40.4	39.8	39.6	35.7	22
24	43.5	43.2	43.0	38.5	38.0	36.9	36.4	35.8	35.2	34.6	34.4	33.8	24
26	38.9	38.6	38.4	34.3	33.7	32.6	32.1	31.5	30.9	30.3	30.1	29.9	26
28	35.1	34.7	34.5	33.6	30.1	29.4	28.8	28.2	27.7	27.0	26.8	26.2	28
30	31.7	31.4	31.1	30.3	30.1	26.2	25.7	25.0	24.5	23.8	23.6	23.0	30
32	29.1	28.8	28.5	27.7	27.1	23.5	22.9	22.3	21.7	21.1	20.9	20.2	32
34	26.5	26.2	25.9	25.1	24.6	23.5	20.5	19.9	19.3	18.7	18.5	17.8	34
36	24.2	23.9	23.6	22.8	22.3	21.2	20.7	17.8	17.2	16.6	16.4	15.7	36
38	22.2	21.9	21.6	20.8	20.3	19.2	18.7	18.1	15.3	15.1	15.1	14.5	38
40	20.3	20.1	19.8	19.0	18.4	17.4	16.9	16.3	15.7	13.6	13.4	12.8	40
42	18.7	18.4	18.2	17.3	16.8	15.8	15.3	15.1	14.7	14.1	13.8	11.2	42
44	17.2	16.9	16.7	15.9	15.3	14.9	14.3	13.7	13.2	12.5	12.3	11.7	44
46		15.6	15.3	15.1	14.5	13.5	13.0	12.3	11.8	11.1	10.9	10.3	46
48		14.7	14.5	13.8	13.3	12.2	11.7	11.1	10.5	9.9	9.6	9.0	48
50		13.5	13.4	12.6	12.1	11.0	10.5	9.9	9.3	8.7	8.5	7.8	50
55			10.7	10.1	9.6	8.5	8.0	7.4	6.8	6.2	6.0	5.3	55
60				7.9	7.4	6.4	5.9	5.3	4.8	4.1	3.9	3.3	60
65				6.1	5.7	4.7	4.2	3.6	3.0	2.4	2.2		65
70					4.1	3.2	2.7	2.1					70

Above lift chart is for reference only.

For actual lift duty and complete chart with all available configurations please refer to lift chart in operator's cab or manual.

# Working range - main boom (No.2821.xx) 86° - 15°

**124 t counterweight and 57 t carbody counterweight and max. 120 t suspended counterweight at 13 m radius**



## Main boom configuration (Table 1 – No. 2821.xx)

Configuration for boom lengths between 44 m and 119 m

	Length																																																			
Boom foot	10 m	1	1	1	1	1	1	1	1	1	1	1	1	1	1	1	1	1	1	1	1	1	1	1	1	1	1	1	1	1	1	1	1	1	1	1	1	1	1	1	1	1	1	1								
Boom section	3 m	1					1			1								1			1							1										1										1				
Boom section	6 m			1	1							1	1												1	1														1	1									1		
Boom section	12 m	2	2	2	3	3	3	3	4	4	4	4	5	5	5	5	6	6	6	6	7	7	7	7	7	7	7	7	7	7	7	7	8	8	8	8	8	8	8	8	8	8	8	8	8	8	8	8	8	8	8	8
Boom head	7 m	1	1	1	1	1	1	1	1	1	1	1	1	1	1	1	1	1	1	1	1	1	1	1	1	1	1	1	1	1	1	1	1	1	1	1	1	1	1	1	1	1	1	1	1	1	1	1	1	1	1	
Boom length (m)		44	47	50	53	56	59	62	65	68	71	74	77	80	83	86	89	92	95	98	101	104	107	110	113	116	119																									

# Lift chart - main boom (No. 2821.xx)

**124 t counterweight and 57 t carbody counterweight and max. 120 t suspended counterweight at 13 m radius**

## Main boom 44 m

Radius	Suspended counterweight in metric tons at 13 m radius				
	0	50	75	90	120
(m)	t	t	t	t	t
12	98.2	157.6	187.0	204.8	236.6
14	80.6	130.5	155.2	170.1	199.8
16	68.1	110.8	132.1	144.9	170.7
18	63.1	100.8	119.4	130.8	153.2
20	55.3	88.6	105.2	115.4	135.3
22	48.6	78.8	93.9	102.9	121.0
24	43.5	70.9	84.6	92.7	109.2
26	38.9	64.1	76.7	84.3	99.4
28	35.1	58.5	70.1	77.0	90.9
30	31.7	53.5	64.3	70.9	83.8
32	29.1	49.2	59.5	65.4	77.5
34	26.5	45.4	55.0	60.6	72.1
36	24.2	42.2	51.1	56.5	67.2
38	22.2	39.2	47.6	52.7	62.8
40	20.3	36.5	44.6	49.3	59.0
42	18.7	34.0	41.7	46.2	55.4
44	17.2	31.8	39.1	43.4	50.8

## Main boom 50 m

Radius	Suspended counterweight in metric tons at 13 m radius				
	0	50	75	90	120
(m)	(t)	(t)	(t)	(t)	(t)
11	109.3				
12	97.8	157.1	182.5	182.5	
14	80.1	129.9	154.7	169.5	175.6
16	67.5	110.2	131.4	144.4	168.7
18	58.1	95.4	114.2	125.4	147.8
20	50.4	83.9	100.6	110.5	130.6
22	48.1	78.2	93.3	102.5	120.4
24	43.0	70.3	84.0	92.1	108.6
26	38.4	63.5	76.0	83.7	98.8
28	34.5	57.9	69.5	76.4	90.3
30	31.1	52.9	63.7	70.3	83.2
32	28.5	48.6	58.9	64.8	76.9
34	25.9	45.0	54.4	60.0	71.5
36	23.6	41.7	50.5	55.9	66.6
38	21.6	38.6	47.0	52.1	62.2
40	19.8	36.0	44.1	48.7	58.4
42	18.2	33.5	41.2	45.7	54.9
44	16.7	31.3	38.6	43.0	51.7
46	15.3	29.4	36.3	40.5	48.7
48	14.5	27.5	34.2	38.2	46.0
50	13.4	25.8	32.2	36.0	43.7
55	10.7	22.0	27.8	31.3	38.2

## Main boom 56 m

Radius	Suspended counterweight in metric tons at 13 m radius				
	0	50	75	90	120
(m)	t	t	t	t	t
11	109.3	174.9	187.1	187.1	
12	97.8	157.1	182.5	182.5	
14	80.1	129.9	154.7	169.5	175.6
16	67.5	110.2	131.4	144.4	168.7
18	58.1	95.4	114.2	125.4	147.8
20	50.4	83.9	100.6	110.5	130.6
22	48.1	78.2	93.3	102.5	120.4
24	43.0	70.3	84.0	92.1	108.6
26	38.4	63.5	76.0	83.7	98.8
28	34.5	57.9	69.5	76.4	90.3
30	31.1	52.9	63.7	70.3	83.2
32	28.5	48.6	58.9	64.8	76.9
34	25.9	45.0	54.4	60.0	71.5
36	23.6	41.7	50.5	55.9	66.6
38	21.6	38.6	47.0	52.1	62.2
40	19.8	36.0	44.1	48.7	58.4
42	18.2	33.5	41.2	45.7	54.9
44	16.7	31.3	38.6	43.0	51.7
46	15.3	29.4	36.3	40.5	48.7
48	14.5	27.5	34.2	38.2	46.0
50	13.4	25.8	32.2	36.0	43.7
55	10.7	22.0	27.8	31.3	38.2

## Main boom 68 m

Radius	Suspended counterweight in metric tons at 13 m radius				
	0	50	75	90	120
(m)	(t)	(t)	(t)	(t)	(t)
9	141.7				
10	123.2	144.5	144.5		
12	97.1	139.4	139.4	139.4	
16	66.7	109.4	130.8	131.4	131.4
18	57.2	94.5	113.3	124.5	126.2
20	49.5	83.0	99.7	109.6	121.8
22	43.7	73.8	88.6	97.7	115.6
24	38.5	65.9	79.6	88.0	104.2
26	34.3	59.7	72.2	79.6	94.7
28	33.6	57.1	68.6	75.5	89.4
30	30.3	52.1	62.8	69.4	82.3
32	27.7	47.7	58.0	63.9	76.0
34	25.1	44.2	53.6	59.3	70.6
36	22.8	40.8	49.6	55.1	65.7
38	20.8	37.8	46.2	51.3	61.3
40	19.0	35.1	43.2	47.9	57.6
44	15.9	30.5	37.8	42.2	50.8
48	13.8	26.8	33.4	37.4	45.2
50	12.6	25.1	31.4	35.2	42.9
55	10.1	21.4	27.2	30.6	37.6
60	7.9	18.3	23.6	26.8	33.1
65	6.1	15.7	20.5	23.5	29.3

Above lift chart is for reference only.

For actual lift duty and complete chart with all available configurations please refer to lift chart in operator's cab or manual.

# Lift chart – main boom (No. 2821.xx)

**124 t counterweight and 57 t carbody counterweight and max. 120 t suspended counterweight at 13 m radius**

## Main boom 74 m

Radius	Suspended counterweight in metric tons at 13 m radius				
	0	50	75	90	120
(m)	(t)	(t)	(t)	(t)	(t)
9	129.9				
10	122.8	129.9			
12	96.7	126.9	122.1		
14	78.9	122.1	118.0	118.0	
18	56.7	108.9	111.6	111.6	111.6
20	48.9	94.0	99.1	107.3	107.3
22	43.1	82.4	88.2	97.2	103.6
24	38.0	73.2	79.1	87.4	100.6
26	33.7	65.4	71.7	79.1	94.2
28	30.1	59.1	65.2	72.2	86.1
30	30.1	53.6	62.3	68.9	81.8
32	27.1	51.6	57.5	63.4	75.5
34	24.6	47.2	53.0	58.8	70.1
36	22.3	43.7	49.1	54.5	65.2
38	20.3	40.3	45.6	50.7	60.8
40	18.4	37.3	42.7	47.4	57.1
44	15.3	32.2	37.3	41.7	50.3
48	13.3	28.1	32.8	36.9	44.9
55	9.6	24.6	26.7	30.1	37.1
60	7.4	20.9	23.1	26.3	32.6
65	5.7	17.8	20.1	23.0	28.9
70	4.1	15.2	17.5	20.2	25.6

## Main boom 86 m

Radius	Suspended counterweight in metric tons at 13 m radius				
	0	50	75	90	120
(m)	(t)	(t)	(t)	(t)	(t)
8.9	92.2				
12	90.2	90.2			
16	65.2	86.0	86.0		
18	55.7	84.2	84.2	84.2	
24	36.9	64.3	76.4	76.4	76.4
26	32.6	58.1	70.6	74.1	74.1
28	29.4	52.5	64.1	70.9	72.2
30	26.2	47.7	58.7	65.0	71.5
32	23.5	43.9	53.8	59.8	71.3
34	23.5	42.6	52.0	57.7	69.0
36	21.2	39.2	48.1	53.5	64.1
38	19.2	36.2	44.8	49.7	59.8
40	17.4	33.5	41.7	46.3	56.0
44	14.9	29.1	36.3	40.7	49.3
48	12.2	25.2	31.8	35.8	43.9
55	8.5	19.9	25.7	29.2	36.1
60	6.4	16.8	22.1	25.3	31.6
65	4.7	14.6	19.1	22.1	28.0
70	3.2	12.3	16.6	19.3	24.7
75		10.4	14.6	16.9	21.9
80		8.6	12.6	15.0	19.5
85		7.1	10.8	13.0	17.3

## Main boom 92 m

Radius	Suspended counterweight in metric tons at 13 m radius				
	0	50	75	90	120
(m)	(t)	(t)	(t)	(t)	(t)
9.3	79.2				
12	77.8	77.8			
18	55.2	72.8	72.8		
20	47.4	71.6	71.6	71.6	
28	28.8	52.0	62.5	62.5	62.5
30	25.7	47.2	58.2	60.9	60.9
32	22.9	43.3	53.3	59.2	60.3
34	20.5	39.7	49.0	54.8	59.9
36	20.7	38.7	47.5	53.0	59.6
38	18.7	35.7	44.3	49.2	59.1
40	16.9	33.0	41.1	45.8	55.5
44	14.3	28.6	35.7	40.1	48.7
48	11.7	24.7	31.3	35.3	43.3
50	10.5	23.0	29.5	33.2	40.9
55	8.0	19.4	25.2	28.7	35.5
60	5.9	16.3	21.6	24.8	31.1
65	4.2	14.1	18.6	21.6	27.5
70	2.7	11.9	16.1	18.8	24.2
75		9.9	14.2	16.4	21.4
80		8.2	12.2	14.6	19.0
85		6.7	10.4	12.6	16.8
90		5.3	8.8	10.9	14.9

## Main boom 98 m

Radius	Suspended counterweight in metric tons at 13 m radius				
	0	50	75	90	120
(m)	(t)	(t)	(t)	(t)	(t)
9.7	68.5				
14	66.2	66.2			
20	46.8	62.0	62.0		
22	41.0	60.1	60.1	60.1	
30	25.0	46.6	57.6	58.0	58.0
32	22.3	42.7	52.7	57.9	57.9
34	19.9	39.0	48.4	54.2	57.9
36	17.8	35.8	44.9	50.1	57.9
38	18.1	35.1	43.7	48.6	57.9
40	16.3	32.4	40.5	45.2	54.9
44	13.7	28.0	35.1	39.5	48.1
48	11.1	24.1	30.7	34.7	42.7
50	9.9	22.4	28.9	32.6	40.3
55	7.4	18.8	24.6	28.1	34.9
60	5.3	15.7	21.0	24.2	30.5
65	3.6	13.5	18.1	21.0	26.9
70	2.1	11.3	15.5	18.2	23.7
75		9.3	13.6	15.8	20.9
80		7.6	11.6	14.0	18.4
85		6.1	9.9	12.1	16.3
90		4.8	8.3	10.4	14.6
95		3.5	6.8	8.8	12.8

Above lift chart is for reference only.

For actual lift duty and complete chart with all available configurations please refer to lift chart in operator's cab or manual.



# Lift chart - main boom (No. 2821.xx)

**124 t counterweight and 57 t carbody counterweight and max. 120 t suspended counterweight at 13 m radius**

## Main boom 104 m

Radius	Suspended counterweight in metric tons at 13 m radius				
	0	50	75	90	120
(m)	t	t	t	t	t
12	59.0				
14	57.7	57.7			
22	40.4	52.5	52.5		
26	30.9	50.3	50.3	50.3	
32	21.7	42.1	50.1	50.1	50.1
34	19.3	38.5	47.9	50.1	50.1
36	17.2	35.3	44.3	49.5	50.1
38	15.3	32.4	41.0	45.9	50.1
40	15.7	31.9	40.0	44.8	50.1
44	13.2	27.4	34.6	39.0	47.6
48	10.5	23.6	30.1	34.1	42.2
50	9.3	21.9	28.3	32.0	39.7
55	6.8	18.2	24.0	27.6	34.4
60	4.8	15.2	20.5	23.7	30.0
65	3.0	13.0	17.5	20.5	26.3
70		10.7	15.1	17.7	23.1
75		8.8	13.1	15.3	20.3
80		7.1	11.1	13.5	17.9
85		5.6	9.3	11.6	15.8
90		4.3	7.8	9.9	14.1
95		3.0	6.4	8.4	12.4
100			5.1	7.0	10.8

## Main boom 110 m

Radius	Suspended counterweight in metric tons at 13 m radius				
	0	50	75	90	120
(m)	(t)	(t)	(t)	(t)	(t)
10.6	51.4				
16	49.2	49.2			
24	34.6	44.6	44.6		
28	27.0	43.1	43.1	43.1	
36	16.6	34.6	42.7	42.7	42.7
38	15.1	31.8	40.3	42.7	42.7
40	13.6	29.4	37.3	42.0	42.7
44	12.5	26.8	34.0	38.4	42.7
46	11.1	24.8	31.6	35.8	42.7
48	9.9	22.9	29.7	33.5	41.5
50	8.7	21.2	27.7	31.4	39.1
55	6.2	17.6	23.4	26.9	33.8
60	4.1	15.0	19.9	23.1	29.5
65	2.4	12.4	16.9	19.8	25.7
70		10.1	14.7	17.1	22.5
75		8.2	12.5	15.0	19.7
80		6.5	10.5	12.9	17.3
85		5.0	8.7	11.0	15.2
90		3.7	7.2	9.3	13.5
95		2.5	5.8	7.8	11.8
100			4.5	6.4	10.2
105			3.4	5.2	8.8

## Main boom 113 m

Radius	Suspended counterweight in metric tons at 13 m radius				
	0	50	75	90	120
(m)	(t)	(t)	(t)	(t)	(t)
10.8	47.9				
16	45.9	45.9			
24	34.4	41.3	41.3		
30	23.6	39.4	39.4	39.4	
38	15.1	31.5	38.9	38.9	38.9
40	13.4	29.2	37.1	38.9	38.9
44	12.3	26.6	33.7	38.0	38.9
46	10.9	24.6	31.4	35.6	38.9
48	9.6	22.7	29.5	33.3	38.9
50	8.5	21.0	27.5	31.2	38.7
55	6.0	17.4	23.2	26.7	33.6
60	3.9	14.8	19.7	22.9	29.3
65	2.2	12.1	16.7	19.6	25.5
70		9.9	14.5	16.9	22.3
75		8.0	12.2	14.8	19.5
80		6.3	10.3	12.7	17.1
85		4.8	8.5	10.8	15.0
90		3.5	7.0	9.1	13.3
95		2.3	5.6	7.6	11.6
100			4.3	6.2	10.0
105			3.2	5.0	8.6
110			2.1	3.8	7.3

## Main boom 119 m

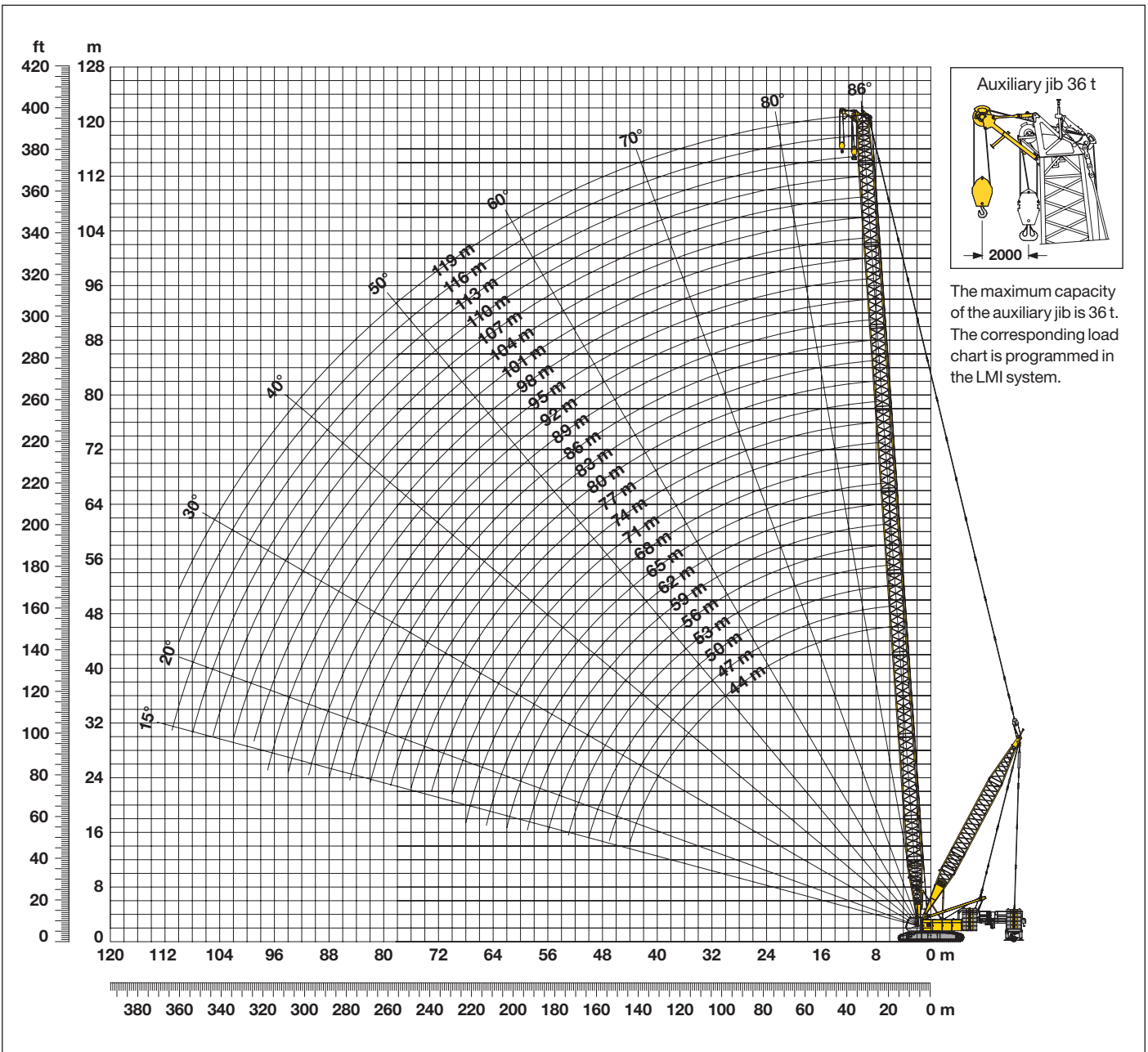
Radius	Suspended counterweight in metric tons at 13 m radius				
	0	50	75	90	120
(m)	(t)	(t)	(t)	(t)	(t)
11.2	41.5				
18	38.6	38.6			
28	26.2	33.4	33.4		
32	20.2	32.6	32.6	32.6	
42	11.2	26.2	31.9	31.9	31.9
44	11.7	25.9	31.9	31.9	31.9
46	10.3	23.9	30.8	31.9	31.9
48	9.0	22.1	28.8	31.9	31.9
50	7.8	20.4	26.9	30.6	31.9
55	5.3	16.7	22.6	26.1	31.9
60	3.3	14.1	19.0	22.2	28.6
65		11.5	16.1	19.0	24.9
70		9.3	13.9	16.2	21.7
75		7.3	11.6	14.2	18.9
80		5.7	9.7	12.1	16.5
85		4.2	7.9	10.2	14.4
90		2.9	6.4	8.5	12.5
95			5.0	7.0	10.8
100			3.8	5.7	9.3
105			2.6	4.4	7.9
110				3.3	6.6
115				2.2	2.6

Above lift chart is for reference only.

For actual lift duty and complete chart with all available configurations please refer to lift chart in operator's cab or manual.

# Working range - main boom (No.2821.xx) **86° - 15°**

**124 t counterweight and 57 t carbody counterweight and  
120 t wheeled counterweight carriage at 15.8 m radius**



## Main boom configuration (Table 1 – No. 2821.xx)

Configuration for boom lengths between 44 m and 119 m

		Length																									
		10 m	11	12	13	14	15	16	17	18	19	20	21	22	23	24	25	26	27	28	29	30					
Boom foot	10 m	1	1	1	1	1	1	1	1	1	1	1	1	1	1	1	1	1	1	1	1	1					
Boom section	3 m	1						1							1							1					
Boom section	6 m			1	1						1	1						1	1			1					
Boom section	12 m	2	2	2	3	3	3	3	4	4	4	4	5	5	5	5	6	6	6	6	7	7	7	7	8	8	8
Boom head	7 m	1	1	1	1	1	1	1	1	1	1	1	1	1	1	1	1	1	1	1	1	1	1	1	1	1	1
Boom length (m)		44	47	50	53	56	59	62	65	68	71	74	77	80	83	86	89	92	95	98	101	104	107	110	113	116	119

# Lift chart - main boom (No. 2821.xx)

**124 t counterweight and 57 t carbody counterweight and 120 t wheeled counterweight carriage at 15.8 m radius**

Capacities in metric tons for boom lengths (44 m - 119 m) - with 215 kN winches  
124 t counterweight and 57 t carbody counterweight and 120 t wheeled counterweight carriage

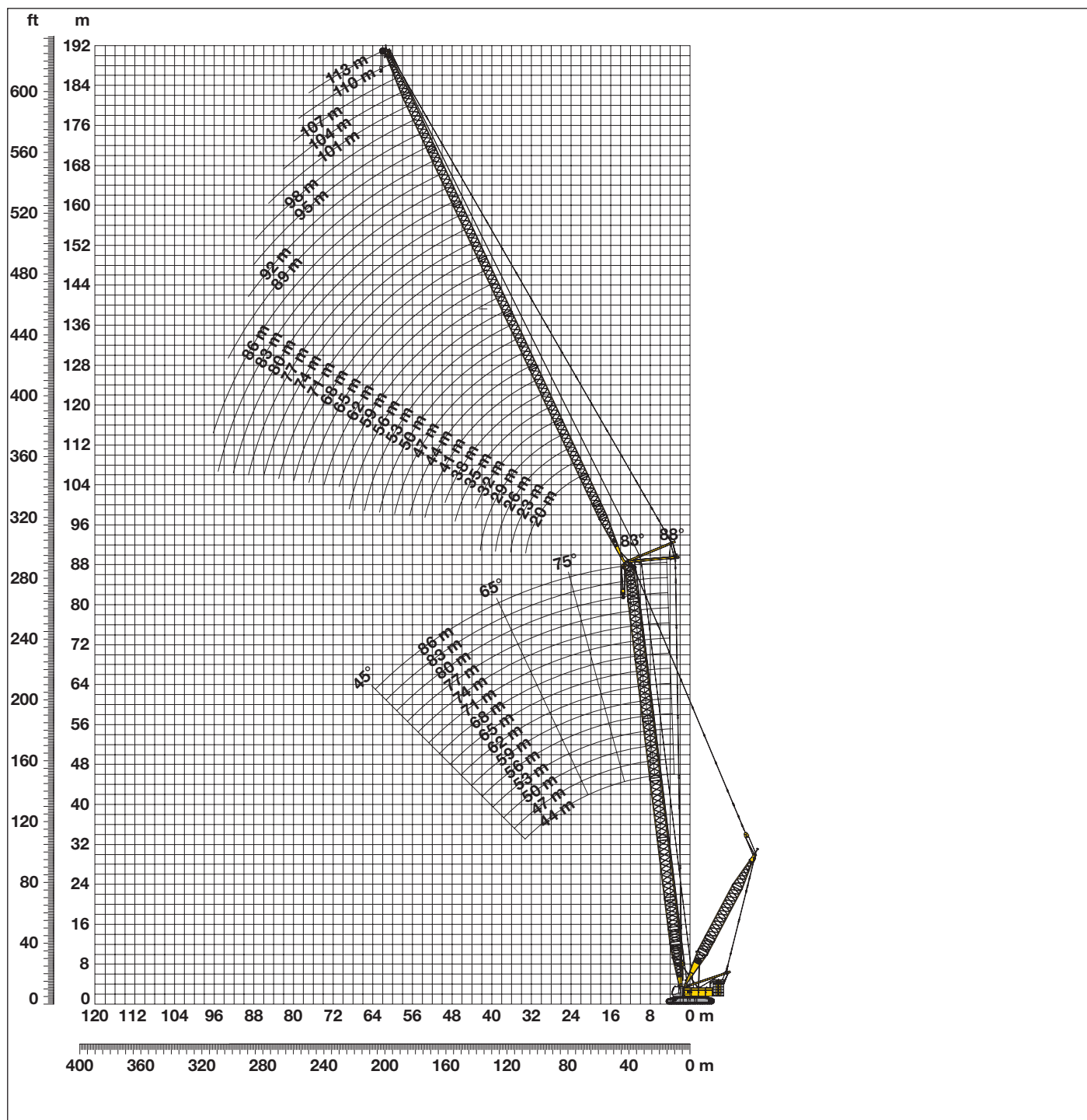
Radius (m)	Boom length in (m)											Radius (m)				
	44	50	56	68	74	86	92	98	104	110	113		119			
	t	t	t	t	t	t	t	t	t	t	t	t	t			
8.9						92.2								8.9		
9				147.9	129.9	92.2								9		
10				144.5	126.9	92.2	79.2	68.5						10		
12	236.6	211.2	182.5	139.4	122.1	90.2	77.8	67.7	59.0	51.4	47.9	41.5		12		
14	219.4	201.0	175.6	134.7	118.0	88.4	76.5	66.2	57.7	50.4	47.1	41.0		14		
16	188.8	188.3	168.7	131.4	114.9	86.0	74.5	64.9	56.6	49.2	45.9	39.7		16		
18	169.1	164.1	163.2	126.2	111.6	84.2	72.8	63.3	55.1	48.0	44.8	38.6		18		
20	149.6	149.3	144.7	121.8	107.3	82.3	71.6	62.0	53.9	46.7	43.4	36.9		20		
22	133.8	133.5	133.2	118.2	103.6	79.1	69.2	60.1	52.5	45.7	42.4	35.7		22		
24	120.9	120.6	120.3	114.9	100.6	76.4	66.6	58.7	51.2	44.6	41.3	34.8		24		
26	110.1	109.8	109.5	105.4	98.1	74.1	64.4	58.2	50.3	43.7	40.4	34.0		26		
28	101.0	100.5	100.3	99.5	95.6	72.2	62.5	58.0	50.1	43.1	39.7	33.4		28		
30	93.0	92.7	92.4	91.5	91.0	71.5	60.9	58.0	50.1	42.9	39.4	32.9		30		
32	86.2	85.9	85.6	84.7	84.2	71.3	60.3	57.9	50.1	42.8	39.3	32.6		32		
34	80.1	79.8	79.5	78.6	78.1	71.1	59.9	57.9	50.1	42.7	39.1	32.4		34		
36	74.7	74.4	74.2	73.2	72.9	71.0	59.6	57.9	50.1	42.7	39.0	32.1		36		
38	70.0	69.7	69.5	68.6	68.1	67.0	59.3	57.9	50.1	42.7	38.9	31.9		38		
40	65.7	65.4	65.2	64.3	63.8	62.7	59.0	57.9	50.1	42.7	38.9	31.9		40		
42	61.8	61.5	61.3	60.4	59.9	59.0	58.2	57.7	50.1	42.7	38.9	31.9		42		
44	58.1	58.1	57.9	57.1	56.5	55.5	55.0	54.4	50.1	42.7	38.9	31.9		44		
46		54.9	54.7	53.9	53.3	52.3	51.8	51.2	49.2	42.7	38.9	31.9		46		
48		51.9	51.7	50.9	50.4	49.4	48.9	48.3	47.7	42.4	38.9	31.9		48		
50		49.2	49.0	48.2	47.7	46.7	46.2	45.6	45.0	42.1	38.9	31.9		50		
55			43.2	42.5	42.0	41.0	40.5	39.9	39.4	38.7	38.4	31.9		55		
60				37.6	37.1	36.2	35.6	35.1	34.5	33.9	33.7	31.9		60		
65				33.5	33.0	32.1	31.6	31.0	30.4	29.8	29.6	29.0		65		
70					29.5	28.6	28.1	27.5	27.0	26.4	26.2	25.5		70		
75						25.5	25.0	24.5	23.9	23.3	23.1	22.3		75		
80							22.8	22.4	21.8	21.3	20.7	20.5	19.4		80	
85								20.4	20.0	19.5	18.9	18.3	18.1	16.5		85
90									17.9	17.4	16.9	16.3	16.1	14.1		90
95										15.4	15.0	14.4	14.2	12.3		95
100											13.4	12.7	12.5	10.7		100
105												11.3	11.0	9.4		105
110													9.6	6.6		110
115														2.6		115

Above lift chart is for reference only.

For actual lift duty and complete chart with all available configurations please refer to lift chart in operator's cab or manual.

# Working range - main boom (No.2821.xx) 86° - 15°

## 124 t counterweight and 57 t carbody counterweight



**Boom configuration for main boom lengths (44 m - 86 m)** – see table 1 on page 4  
**Jib configuration for jib lengths (20 m - 113 m)**

	Length	Amount of luffing jib extensions																																
		20	23	26	29	32	35	38	41	44	47	50	53	56	59	62	65	68	71	74	77	80	83	86	89	92	95	98	101	104	107	110	113	
Luffing jib foot	10 m	1	1	1	1	1	1	1	1	1	1	1	1	1	1	1	1	1	1	1	1	1	1	1	1	1	1	1	1	1	1	1	1	1
Luffing jib section	3 m		1		1		1		1		1		1		1		1		1		1		1		1		1		1		1		1	
Luffing jib section	6 m			1	1			1	1			1	1			1	1			1	1			1	1			1	1			1	1	
Luffing jib section	12 m					1	1	1	1		2	2	2	2	3	3	3	3	4	4	4	4	5	5	5	5	6	6	6	6	7	7	7	7
Luffing jib head	10 m	1	1	1	1	1	1	1	1	1	1	1	1	1	1	1	1	1	1	1	1	1	1	1	1	1	1	1	1	1	1	1	1	
Luffing jib length (m)		20	23	26	29	32	35	38	41	44	47	50	53	56	59	62	65	68	71	74	77	80	83	86	89	92	95	98	101	104	107	110	113	

# Lift chart - luffing jib (No. 2316.xx)

Main boom angle 88°

## Main boom 44 m

Radius	Jib length in (m)							
	41	53	65	77	89	95	101	113
(m)	t	t	t	t	t	t	t	t
13.2	66.3							
16	58.4	47.0						
19	46.4	43.2	32.7					
22	38.1	35.9	31.0	23.0				
24	32.8	31.1	29.0	22.3	16.3			
26	30.2	28.6	26.4	21.7	16.0	13.7	11.7	
30	25.3	23.5	22.2	19.4	15.4	13.2	11.4	8.2
34	22.2	20.7	19.0	17.1	14.6	12.7	11.0	7.9
38	19.1	17.8	16.5	14.9	13.5	12.2	10.5	7.5
40	18.3	16.8	15.6	13.7	12.6	11.7	10.3	7.3
42	17.4	16.0	14.6	12.7	11.8	11.0	10.0	7.2
55		11.1	9.9	8.3	7.4	6.7	6.1	4.8
65			7.5	6.1	5.0	4.3	3.9	2.8
75				4.6	3.3	2.9	2.3	
80					2.6	2.1		
85					2.1			

## Main boom 50 m

Radius	Jib length in (m)							
	41	53	65	77	89	95	101	113
(m)	t	t	t	t	t	t	t	t
13.4	61.5							
16	54.5	44.5						
19	44.1	40.7	31.2					
22	36.5	33.8	29.6	22.0				
24	31.7	29.5	27.6	21.5	15.7			
26	29.0	27.2	25.1	20.8	15.5	13.2	11.3	
30	24.5	22.6	21.0	18.5	15.0	12.8	11.1	8.0
34	21.5	20.0	18.1	16.2	13.8	12.2	10.6	7.6
38	18.7	17.2	15.8	14.1	12.6	11.5	10.1	7.3
40	17.8	16.2	14.9	13.0	11.8	11.0	9.8	7.1
42	16.9	15.5	14.0	12.0	11.0	10.3	9.5	6.9
44	15.8	14.6	13.0	11.4	10.2	9.6	8.9	6.8
55		10.8	9.5	7.9	7.0	6.3	5.7	4.5
65			7.3	5.9	4.7	4.1	3.7	2.5
75				4.3	3.1	2.7	2.2	
80					2.5			

## Main boom 62 m

Radius	Jib length in (m)							
	41	53	65	77	89	95	101	113
(m)	t	t	t	t	t	t	t	t
13.9	50.7							
17	43.9	36.9						
19	38.7	34.8	26.9					
22	32.5	29.6	25.6	19.3				
24	28.8	26.1	23.8	19.0	14.0			
26	26.2	24.1	21.8	18.4	13.9	11.9		
28	24.4	22.3	19.7	17.6	13.8	11.8	10.1	
30	22.5	20.4	18.2	16.4	13.6	11.7	10.1	7.0
34	19.7	18.0	15.9	14.2	12.3	11.1	9.8	6.8
42	15.7	14.0	12.3	10.7	9.5	8.8	8.0	6.0
44	14.8	13.3	11.5	10.1	8.9	8.2	7.5	5.7
55		10.0	8.4	7.1	6.0	5.4	4.7	3.5
60			7.3	6.2	4.9	4.4	3.8	2.5
65			6.5	5.3	4.1	3.4	3.0	
70				4.4	3.4	2.7	2.1	
75				3.9	2.7	2.1		

## Main boom 74 m

Radius	Jib length in (m)							
	41	53	65	77	89	95	101	113
(m)	t	t	t	t	t	t	t	t
14.3	39.7							
17	37.5	29.5						
20	31.8	27.9	21.5					
22	28.8	25.6	21.0	15.7				
26	23.5	21.2	18.7	15.2	11.3	9.7		
28	22.0	19.7	17.1	14.8	11.3	9.6	8.1	
30	20.5	18.2	15.9	13.9	11.2	9.6	8.1	5.3
34	18.0	16.1	14.0	12.2	10.2	9.1	7.9	5.3
38	16.0	14.2	12.2	10.8	9.1	8.2	7.2	5.1
40	15.0	13.3	11.6	10.1	8.6	7.7	6.8	4.8
42	14.4	12.7	10.9	9.3	8.0	7.2	6.4	4.6
44	13.7	12.1	10.3	8.8	7.5	6.8	6.0	4.3
55		9.1	7.6	6.1	5.0	4.4	3.7	2.5
65			5.8	4.5	3.3	2.7	2.2	
70				3.8	2.7	2.1		
75				3.3	2.1			

## Main boom 80 m

Radius	Jib length in (m)							
	41	53	65	77	89	95	101	113
(m)	t	t	t	t	t	t	t	t
14.5	35.0							
17	33.7	26.1						
20	29.1	25.1	19.1					
22	26.4	23.5	18.6	14.0				
26	21.7	19.8	16.9	13.6	10.1	8.5		
28	20.4	18.5	15.8	13.3	10.0	8.5	7.1	
30	19.0	17.2	14.7	12.6	9.9	8.4	7.0	4.5
34	16.8	15.2	13.0	11.3	9.2	8.1	6.9	4.4
38	15.0	13.4	11.4	10.0	8.3	7.3	6.3	4.3
42	13.6	12.0	10.2	8.7	7.3	6.5	5.7	3.8
44	12.9	11.4	9.6	8.1	6.8	6.1	5.3	3.6
50		9.6	8.1	6.8	5.4	4.7	4.1	2.7
60			6.1	4.9	3.6	3.1	2.5	
65			5.4	4.2	2.9	2.3		
70				3.4	2.3			
75				3.0				

## Main boom 86 m

Radius	Jib length in (m)							
	41	53	65	77	89	95	101	113
(m)	t	t	t	t	t	t	t	t
14.7	30.8							
18	29.0	22.8						
20	26.8	22.0	16.8					
24	22.4	19.1	15.9	12.2				
26	20.3	17.7	15.2	12.0	8.7	7.3		
28	19.2	16.6	14.4	11.7	8.7	7.3	6.0	
30	17.9	15.5	13.6	11.3	8.6	7.2	6.0	3.6
34	15.8	13.7	12.1	10.3	8.1	7.0	5.8	3.5
38	14.2	12.1	10.6	9.1	7.4	6.4	5.4	3.4
42	12.8	10.9	9.5	7.9	6.5	5.8	5.0	3.1
44	12.2	10.4	8.9	7.4	6.1	5.4	4.6	2.9
50		8.8	7.5	6.2	4.8	4.1	3.5	2.2
60			5.6	4.5	3.2	2.6	2.0	
65			5.0	3.8	2.5			
70				3.0				
75				2.6				

Capacities in metric tons with luffing jib (No. 2316.xx), 124 t counterweight + 57 t carbody counterweight. Above lift chart is for reference only. For actual lift duty and complete chart with all available configurations please refer to lift chart in operator's cab or manual.

# Lift chart – luffing jib (No. 2316.xx)

Main boom angle 83°

## Main boom 44 m

Radius	Jib length in (m)							
	41	53	65	77	89	95	101	113
(m)	t	t	t	t	t	t	t	t
20.6	50.5							
26	38.3	37.3						
28	35.0	34.0	29.6					
32	29.7	29.1	28.2	21.0				
36	25.9	25.0	24.1	20.4	15.1			
38	24.2	23.3	22.4	20.0	14.9	12.6		
40	22.6	21.8	20.9	19.6	14.7	12.5	10.6	
42	21.2	20.4	19.5	18.6	14.4	12.2	10.5	7.3
44	20.0	19.2	18.3	17.4	14.1	12.0	10.3	7.3
46	18.8	18.0	17.2	16.3	13.8	11.7	10.1	7.1
55		14.0	13.2	12.3	11.4	10.6	9.3	6.5
70			8.8	8.0	7.2	6.8	6.3	5.2
80				5.8	5.0	4.9	4.4	3.5
85					4.1	3.7	3.6	2.8
90					3.4	2.9	2.4	2.1
95						2.3		

## Main boom 50 m

Radius	Jib length in (m)							
	41	53	65	77	89	95	101	113
(m)	t	t	t	t	t	t	t	t
21.3	47.7							
26	37.7	36.7						
30	31.6	30.7	28.2					
32	29.2	28.6	27.6	20.2				
36	25.5	24.6	23.6	19.8	14.6			
38	23.8	22.9	22.0	19.4	14.5	12.2		
40	22.3	21.4	20.5	19.0	14.3	12.1	10.3	
44	19.6	18.8	17.9	17.0	13.8	11.7	10.1	7.0
46	18.5	17.7	16.8	15.9	13.5	11.4	9.9	7.0
48	17.4	16.7	15.8	14.9	13.2	11.2	9.7	6.8
60		12.0	11.3	10.4	9.5	9.1	8.4	6.0
70			8.6	7.8	7.0	6.5	6.1	4.9
80				5.9	5.0	4.7	4.2	3.3
85					4.1	3.7	3.4	2.5
90					3.4	2.9	2.4	
95						2.3		

## Main boom 62 m

Radius	Jib length in (m)							
	41	53	65	77	89	95	101	113
(m)	t	t	t	t	t	t	t	t
22.7	42.8							
28	33.2	32.2						
30	30.5	29.6	25.5					
34	26.4	25.4	24.4	18.3				
38	22.9	22.0	21.0	17.8	13.4			
40	21.4	20.5	19.6	17.5	13.3	11.2		
42	20.1	19.2	18.3	17.0	13.0	11.1	9.6	
44	18.9	18.0	17.1	16.1	12.8	10.9	9.5	6.5
46	17.8	17.0	16.0	15.1	12.5	10.7	9.3	6.5
48	16.8	16.0	15.1	14.1	12.3	10.5	9.1	6.4
60		11.5	10.7	9.8	8.9	8.4	7.9	5.5
70			8.1	7.3	6.4	6.0	5.5	4.5
80				5.4	4.6	4.2	3.7	2.8
85					3.7	3.4	3.0	2.1
90					3.1	2.5	2.2	
95					2.3	2.0		

## Main boom 74 m

Radius	Jib length in (m)							
	41	53	65	77	89	95	101	113
(m)	t	t	t	t	t	t	t	t
24.2	36.4							
28	31.8	27.7						
32	27.2	26.2	21.0					
36	23.4	22.5	20.5	15.8				
40	20.4	19.5	18.5	15.4	11.7	10.0		
42	19.2	18.2	17.3	15.3	11.6	9.9	8.4	
46	17.0	16.1	15.1	14.0	11.3	9.7	8.3	5.5
48	16.0	15.1	14.2	13.2	11.0	9.5	8.1	5.4
50	15.1	14.3	13.4	12.4	10.6	9.3	8.0	5.4
60		10.8	10.0	9.1	8.1	7.7	7.1	4.9
65			8.7	7.8	6.9	6.4	5.9	4.6
70			7.6	6.7	5.7	5.3	4.9	3.9
80				4.9	4.0	3.6	3.1	2.1
85				4.2	3.1	2.8	2.4	
90					2.6			
95					2.0			

## Main boom 80 m

Radius	Jib length in (m)							
	41	53	65	77	89	95	101	113
(m)	t	t	t	t	t	t	t	t
24.9	32.0							
30	28.4	24.6						
32	26.6	24.2	18.7					
36	22.8	21.7	18.3	14.2				
40	19.9	18.9	17.2	13.9	10.4			
42	18.7	17.7	16.2	13.7	10.4	8.8		
44	17.5	16.6	15.2	13.3	10.2	8.7	7.3	
46	16.4	15.5	14.4	12.7	10.1	8.7	7.3	4.7
48	15.6	14.6	13.6	12.2	10.0	8.6	7.2	4.6
50	14.7	13.9	12.8	11.6	9.6	8.5	7.1	4.6
60		10.5	9.6	8.5	7.6	7.0	6.2	4.1
65			8.2	7.4	6.4	5.9	5.4	3.8
75			6.2	5.3	4.4	3.8	3.3	2.5
80				4.6	3.6	3.2	2.6	
85				3.9	2.8	2.5	2.0	
90					2.3			

## Main boom 86 m

Radius	Jib length in (m)							
	41	53	65	77	89	95	101	113
(m)	t	t	t	t	t	t	t	t
25.7	28.3							
30	26.9	21.6						
34	23.6	20.8	16.4					
38	20.5	18.5	16.1	12.5				
40	19.2	17.4	15.6	12.3	9.1			
42	18.0	16.5	14.8	12.2	9.1	7.6		
44	16.9	15.5	14.1	11.9	9.0	7.6	6.3	
48	15.0	13.6	12.7	11.0	8.8	7.5	6.2	3.8
50	14.1	13.0	12.0	10.5	8.5	7.4	6.1	3.8
55		11.3	10.2	9.2	7.7	6.8	5.8	3.6
60		10.0	9.0	7.8	6.8	6.1	5.2	3.4
65			7.8	6.7	5.7	5.2	4.6	3.0
70			6.9	5.8	4.5	4.2	3.7	2.6
75			6.0	4.9	3.9	3.2	2.8	
80				4.2	3.2	2.7	2.1	
85				3.6	2.4	2.1		

Capacities in metric tons with luffing jib (No. 2316.xx), 124 t counterweight + 57 t carbody counterweight. Above lift chart is for reference only. For actual lift duty and complete chart with all available configurations please refer to lift chart in operator's cab or manual.

# Lift chart - luffing jib (No. 2316.xx)

Main boom angle 75°

## Main boom 44 m

Radius	Jib length in (m)							
	41	53	65	77	89	95	101	113
(m)	t	t	t	t	t	t	t	t
31.9	26.3							
36	22.6							
38	21.0	20.0						
40	19.7	18.7						
44	17.3	16.4	15.3					
46	16.3	15.4	14.4					
48	15.4	14.5	13.5	12.4				
50	14.5	13.6	12.6	11.6				
55		11.8	10.9	9.9	8.9	8.4		
60		10.3	9.4	8.4	7.5	7.0	6.5	
65		9.0	8.2	7.2	6.3	5.8	5.3	4.3
70			7.1	6.2	5.2	4.8	4.3	3.3
75			6.1	5.3	4.3	3.9	3.4	2.4
80				4.5	3.6	3.1	2.6	
85				3.8	2.9	2.4		
90					2.3			

## Main boom 50 m

Radius	Jib length in (m)							
	41	53	65	77	89	95	101	113
(m)	t	t	t	t	t	t	t	t
33.5	23.7							
36	21.6							
38	20.1							
40	18.8	17.7						
42	17.6	16.6						
44	16.5	15.5	14.5					
46	15.6	14.6	13.5					
48	14.7	13.7	12.7					
50	13.8	12.9	11.9	10.8				
55	12.0	11.2	10.2	9.2	8.1			
60		9.7	8.8	7.8	6.8	6.3	5.7	
65		8.5	7.6	6.6	5.6	5.2	4.6	3.6
70			6.6	5.6	4.7	4.2	3.7	2.7
75			5.7	4.8	3.8	3.3	2.8	
80				4.0	3.1	2.6	2.1	
85				3.3	2.4			

## Main boom 62 m

Radius	Jib length in (m)						
	41	53	65	77	89	95	101
(m)	t	t	t	t	t	t	t
36.6	19.0						
38	18.0						
40	16.8						
42	15.7	14.6					
44	14.8	13.7					
46	13.9	12.8					
48	13.1	12.0	10.9				
50	12.3	11.3	10.2				
55	10.7	9.7	8.7	7.6			
60		8.4	7.4	6.3	5.3	4.8	
65		7.3	6.3	5.3	4.3	3.8	3.2
70		6.3	5.4	4.4	3.4	2.9	2.4
75			4.6	3.6	2.6	2.2	
80			3.9	2.9			
85				2.3			

## Main boom 74 m

Radius	Jib length in (m)					
	41	53	65	77	89	95
(m)	t	t	t	t	t	t
39.7	14.7					
40	14.6					
42	13.6					
44	12.7					
46	11.9	10.8				
48	11.2	10.1				
50	10.5	9.4	8.3			
55	9.1	8.0	6.9	5.8		
60	7.8	6.9	5.8	4.7	3.6	
65		5.9	4.9	3.8	2.7	2.2
70		5.0	4.1	3.0		
75			3.4	2.3		
80			2.7			

## Main boom 80 m

Radius	Jib length in (m)			
	41	53	65	77
(m)	t	t	t	t
41.2	12.8			
42	12.4			
44	11.6			
46	10.9			
48	10.2	9.0		
50	9.6	8.4		
55	8.2	7.2	6.0	
60	7.1	6.1	5.0	3.9
65		5.2	4.1	3.0
70		4.4	3.3	2.3
75			2.7	
80			2.1	

## Main boom 86 m

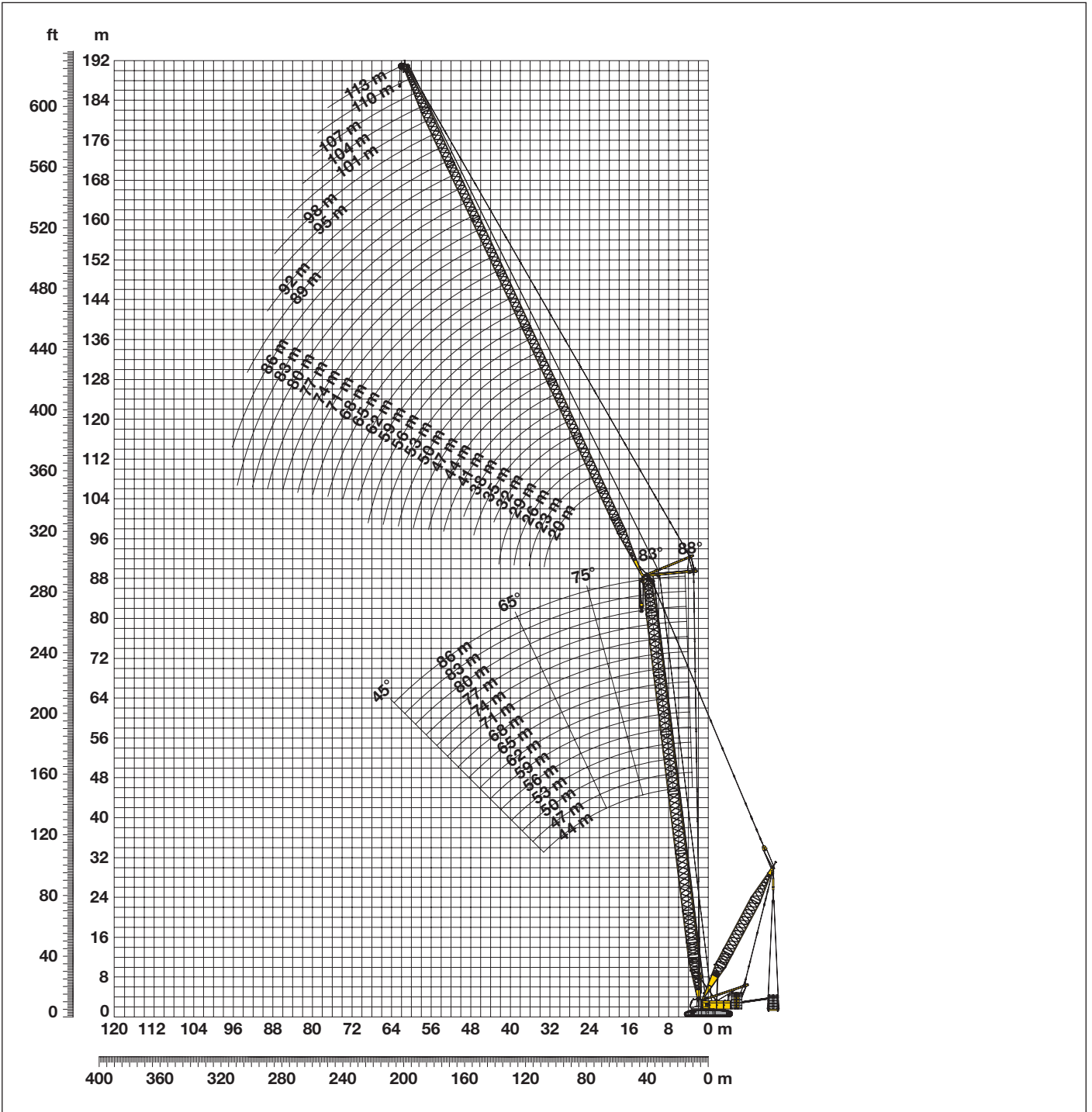
Radius	Jib length in (m)			
	41	53	65	77
(m)	t	t	t	t
42.8	10.9			
44	10.4			
46	9.7			
48	9.1	7.9		
50	8.5	7.4		
55	7.3	6.2	5.0	
60	6.2	5.2	4.1	2.9
65		4.3	3.3	2.1
70		3.6	2.6	
75		2.9		

Capacities in metric tons with luffing jib (No. 2316.xx), 124 t counterweight + 57 t carbody counterweight. Above lift chart is for reference only. For actual lift duty and complete chart with all available configurations please refer to lift chart in operator's cab or manual.

# Working range - luffing jib (No.2316.xx) $78^\circ - 15^\circ$

**124 t counterweight and 57 t carbody counterweight**

**120 t suspended counterweight at 13 m radius**



**Boom configuration for main boom lengths (44 m - 86 m)** – see table 1 on page 4

**Jib configuration for jib lengths (20 m - 113 m)**

	Length	Amount of luffing jib extensions																																							
Luffing jib foot	10 m	1	1	1	1	1	1	1	1	1	1	1	1	1	1	1	1	1	1	1	1	1	1	1	1	1	1	1	1	1	1	1	1	1	1	1	1	1	1		
Luffing jib section	3 m			1	1			1		1		1		1		1		1		1		1		1		1		1		1		1		1		1		1		1	
Luffing jib section	6 m				1	1			1	1			1	1			1	1			1	1			1	1			1	1			1	1			1	1			1
Luffing jib section	12 m					1	1	1	1	1	2	2	2	2	3	3	3	3	4	4	4	4	5	5	5	5	6	6	6	6	7	7	7	7							
Luffing jib head	10 m	1	1	1	1	1	1	1	1	1	1	1	1	1	1	1	1	1	1	1	1	1	1	1	1	1	1	1	1	1	1	1	1	1	1	1	1	1	1	1	1
Luffing jib length (m)		20	23	26	29	32	35	38	41	44	47	50	53	56	59	62	65	68	71	74	77	80	83	86	89	92	95	98	101	104	107	110	113								



# Lift chart - luffing jib (No. 2316.xx)

Main boom angle 75°

max. 120 t suspended counterweight at 13 m radius

## Main boom 44 m

Radius	Jib length in (m)							
	41	53	65	77	89	95	101	113
(m)	t	t	t	t	t	t	t	t
32	52.2							
38	45.3	38.5						
44	36.5	34.6	26.9					
48	30.8	30.4	26.2	18.8				
50	28.9	28.5	25.7	18.8				
55		25.1	22.6	18.1	13.3	10.9		
60		21.6	20.2	17.2	12.8	10.7	9.1	
65		17.7	18.0	16.1	12.3	10.3	8.9	6.0
70			15.9	14.6	11.8	10.0	8.6	5.8
75			13.6	13.0	11.2	9.5	8.3	5.6
80				11.4	10.3	9.0	8.0	5.3
85				9.8	9.3	8.4	7.5	5.0
90					8.2	7.7	7.0	4.4
95					7.0	6.8	6.3	3.3
105						4.3	4.6	
110							3.3	

## Main boom 50 m

Radius	Jib length in (m)							
	41	53	65	77	89	95	101	113
(m)	t	t	t	t	t	t	t	t
33.5	50.4							
40	44.0	37.0						
44	38.2	35.3	26.1					
50	29.7	29.7	25.3	18.2				
55	24.4	26.0	23.1	17.8	12.9			
60		22.2	20.6	17.1	12.6	10.5	8.9	
65		19.0	18.6	16.1	12.2	10.2	8.7	5.8
70			16.3	14.9	11.7	9.8	8.4	5.7
75			14.4	13.4	11.2	9.4	8.2	5.5
80				11.8	10.3	9.0	7.9	5.2
85				10.4	9.5	8.4	7.5	4.9
90					8.5	7.8	7.0	4.6
95					7.4	7.1	6.5	3.5
100					6.0	6.1	5.9	2.3
105						4.9	5.0	
110							3.8	

## Main boom 62 m

Radius	Jib length in (m)							
	41	53	65	77	89	95	101	113
(m)	t	t	t	t	t	t	t	t
36.6	45.3							
42	42.3	33.5						
48	34.0	32.4	23.7					
55	25.8	27.0	22.6	16.7				
60		23.0	20.7	16.3	11.9	9.9		
65		19.4	18.7	15.7	11.6	9.7	8.3	
70		16.2	16.5	15.1	11.2	9.4	8.1	5.3
75			14.4	13.8	10.7	9.1	7.8	5.2
80			12.3	12.4	10.2	8.7	7.6	5.0
85				11.0	9.6	8.3	7.3	4.7
90				9.4	8.8	7.8	6.9	4.4
95					8.0	7.3	6.5	3.9
100					6.8	6.6	6.0	2.9
105						5.5	5.3	
110						4.1	4.4	
115							3.2	

## Main boom 74 m

Radius	Jib length in (m)							
	41	53	65	77	89	95	101	113
(m)	t	t	t	t	t	t	t	t
39.7	36.3							
46	33.1	28.3						
50	30.1	27.1	21.0					
55	25.2	24.9	20.5	15.1				
60	21.7	22.2	19.7	14.9	10.8			
65		18.7	18.7	14.4	10.6	9.0	7.6	
70		16.4	16.3	13.9	10.3	8.8	7.5	
75			13.6	13.2	9.9	8.5	7.3	4.8
80			12.0	11.7	9.5	8.1	7.0	4.6
85				10.0	8.9	7.8	6.7	4.3
90				8.9	8.0	7.2	6.4	4.0
95				7.5	7.0	6.5	5.8	3.7
100					6.2	5.8	5.2	3.1
105					5.1	5.0	4.5	2.2
110						4.1	3.8	
115							3.1	

## Main boom 80 m

Radius	Jib length in (m)							
	41	53	65	77	89	95	101	113
(m)	t	t	t	t	t	t	t	t
42	31.1							
48	28.3	24.6						
50	27.3	24.0						
55	24.0	22.4	18.6					
60	20.8	20.7	17.5	14.0				
65		18.0	16.5	13.6	10.0	8.4		
70		15.7	15.0	13.0	9.7	8.3	7.0	
75			13.0	12.4	9.4	8.0	6.9	4.4
80			11.4	11.1	9.0	7.7	6.6	4.2
85			9.9	9.5	8.4	7.4	6.3	4.0
90				8.3	7.5	6.8	6.1	3.7
95				7.2	6.5	6.0	5.5	3.5
100					5.6	5.2	4.8	3.1
105					4.8	4.4	4.0	2.3
110						3.7	3.3	
115						2.7	2.7	

## Main boom 86 m

Radius	Jib length in (m)							
	41	53	65	77	89	95	101	113
(m)	t	t	t	t	t	t	t	t
42.8	26.6							
48	24.9	20.7						
50	24.1	20.4						
55	22.0	18.9	16.2					
60	19.8	17.4	15.2	12.4				
65		15.8	14.2	11.9	9.1			
70		14.1	13.2	11.3	8.9	7.6	6.4	
75		12.5	11.9	10.6	8.5	7.4	6.3	3.9
80			10.6	9.7	7.9	6.9	6.0	3.8
85			9.5	8.6	7.3	6.5	5.6	3.6
90				7.6	6.6	5.9	5.1	3.3
95				6.7	5.7	5.2	4.6	3.0
100					4.9	4.5	4.0	2.7
105					4.3	3.8	3.4	2.1
110					3.4	3.2	2.7	
115						2.5	2.2	

Suspended counterweight 120 t 90 t 75 t 50 t 0 t

Capacities in metric tons with luffing jib (No. 2316.xx), 124 t counterweight + 57 t carbody counterweight. Above lift chart is for reference only. For actual lift duty and complete chart with all available configurations please refer to lift chart in operator's cab or manual.

# Lift chart – luffing jib (No. 2316.xx)

Main boom angle 65°

max. 120 t suspended counterweight at 13 m radius

## Main boom 44 m

Radius	Jib length in (m)							
	41	53	65	77	89	95	101	113
(m)	t	t	t	t	t	t	t	t
46	43.9							
48	42.2							
50	39.2							
55	33.1	31.0						
60	28.2	26.8	23.1					
65		23.5	21.3					
70		20.9	19.2	16.4				
75			17.2	15.3	11.3			
80			15.5	14.0	11.1	9.2	7.7	
85				12.4	10.7	9.0	7.7	
90				11.3	9.9	8.7	7.5	4.7
95				9.9	9.0	8.2	7.3	4.5
100					8.3	7.6	6.8	4.3
105					7.3	6.9	6.3	3.2
110						6.2	5.7	
115							4.9	

## Main boom 50 m

Radius	Jib length in (m)							
	41	53	65	77	89	95	101	113
(m)	t	t	t	t	t	t	t	t
48	43.4							
50	42.6							
55	35.9	31.6						
60	30.6	28.8						
65		25.3	22.4					
70		22.1	20.0	15.9				
75		19.3	18.2	15.6				
80			16.3	14.6	10.9	8.9		
85			14.6	13.2	10.7	8.8	7.4	
90				11.8	10.2	8.7	7.4	4.5
95				10.7	9.5	8.3	7.3	4.4
100					8.6	7.8	6.9	4.2
105					7.9	7.3	6.5	3.7
110						6.6	6.0	2.4
115						5.7	5.4	
120							4.5	

## Main boom 62 m

Radius	Jib length in (m)							
	41	53	65	77	89	95	101	113
(m)	t	t	t	t	t	t	t	t
55	36.0							
60	32.5	30.5						
65	29.5	28.5						
70		24.8	21.2					
75		21.7	19.4	14.8				
80		19.0	17.6	14.7				
85			15.7	14.3	10.1	8.3		
90			14.1	13.0	10.0	8.3	6.9	
95				11.7	9.7	8.2	6.9	4.0
100				10.7	9.2	8.0	6.8	4.0
105					8.6	7.6	6.6	3.9
110					7.9	7.2	6.3	3.5
115						6.6	5.9	2.3
120						5.7	5.3	
125							4.5	

## Main boom 74 m

Radius	Jib length in (m)							
	41	53	65	77	89	95	101	113
(m)	t	t	t	t	t	t	t	t
60	30.1							
65	27.4	26.2						
70	25.0	23.9						
75		21.9	19.1					
80		20.1	18.8	13.4				
85		18.4	17.2	13.4				
90			15.5	13.2	9.2	7.6		
95			14.0	12.4	9.1	7.6	6.3	
100				11.5	9.0	7.5	6.3	3.5
105				10.6	8.7	7.4	6.2	3.5
110					8.3	7.3	6.1	3.4
115					7.7	7.0	5.9	3.2
120						6.4	5.7	2.1
125						5.6	5.1	
130							4.4	

## Main boom 80 m

Radius	Jib length in (m)							
	41	53	65	77	89	95	101	113
(m)	t	t	t	t	t	t	t	t
60.5	28.6							
65	26.2							
70	23.9	22.7						
75	21.5	20.8	17.8					
80		19.1	17.7					
85		17.6	16.5	12.6				
90			15.2	12.6	8.6			
95			14.0	12.2	8.6	7.1	5.9	
100				11.7	8.6	7.1	5.9	
105				10.9	8.4	7.1	5.9	3.2
110				9.8	8.2	7.0	5.8	3.2
115					7.8	6.8	5.7	3.1
120					7.1	6.5	5.6	2.5
125						5.9	5.2	
130							4.7	

## Main boom 86 m

Radius	Jib length in (m)							
	41	53	65	77	89	95	101	113
(m)	t	t	t	t	t	t	t	t
65	24.9							
70	22.7	19.4						
75	20.8	19.0						
80		18.0	15.0					
85		16.5	14.7	11.3				
90		15.2	14.2	11.2				
95			13.1	11.1	7.9	6.6		
100			12.0	10.8	7.9	6.6	5.4	
105				10.1	7.8	6.5	5.4	2.9
110				9.3	7.6	6.4	5.3	2.9
115					7.4	6.3	5.2	2.8
120					6.8	6.1	5.1	2.7
125						5.7	5.0	
130						5.2	4.6	
135							4.0	

Suspended counterweight **120 t** **90 t** **75 t** **50 t** **0 t**

Capacities in metric tons with luffing jib (No. 2316.xx), 124 t counterweight + 57 t carbody counterweight. Above lift chart is for reference only. For actual lift duty and complete chart with all available configurations please refer to lift chart in operator's cab or manual.

# Lift chart - luffing jib (No. 2316.xx)

Main boom angle 45°

max. 120 t suspended counterweight at 13 m radius

## Main boom 44 m

Radius	Jib length in (m)							
	41	53	65	77	89	95	101	113
(m)	t	t	t	t	t	t	t	t
67.6	27.3							
70	26.2							
80		21.1						
85		19.4						
90			16.3					
95			14.8					
100				11.9				
105				10.7				
110					8.5			
115					7.8	7.2		
120						6.6	5.8	
125						5.9	5.2	
130							4.6	2.0

## Main boom 50 m

Radius	Jib length in (m)						
	41	53	65	77	89	95	101
(m)	t	t	t	t	t	t	t
71.9	23.9						
75	22.7						
85		18.2					
95			14.6				
100			13.5				
105				11.5			
110				10.6			
115					8.3		
120					7.7	7.0	
125						6.5	5.6
130							5.1
135							4.5
140							

## Main boom 62 m

Radius	Jib length in (m)						
	41	53	65	77	89	95	101
(m)	t	t	t	t	t	t	t
80.3	18.1						
85	16.7						
95		13.3					
100			11.2				
105			10.3				
110				8.4			
115				7.7			
120				7.1	6.0		
125					5.4	4.9	
130					4.9	4.4	3.8
135						3.9	3.3
140							2.8

## Main boom 74 m

Radius	Jib length in (m)					
	41	53	65	77	89	
(m)	t	t	t	t	t	
88.8	13.0					
90	12.8					
100		9.8				
105		9.0				
110			7.1			
115			6.5			
120				4.8		
125				4.3		
130					2.7	
135					2.3	
140						
145						

## Main boom 80 m

Radius	Jib length in (m)			
	41	53	65	77
(m)	t	t	t	t
93.1	10.8			
95	10.4			
105		7.7		
110		7.1		
115			5.3	
120			4.8	
125				3.2
130				2.8
135				
140				
145				

## Main boom 86 m

Radius	Jib length in (m)		
	41	53	65
(m)	t	t	t
97.3	8.6		
100	8.2		
110		5.8	
120			3.6
125			3.1
130			
135			

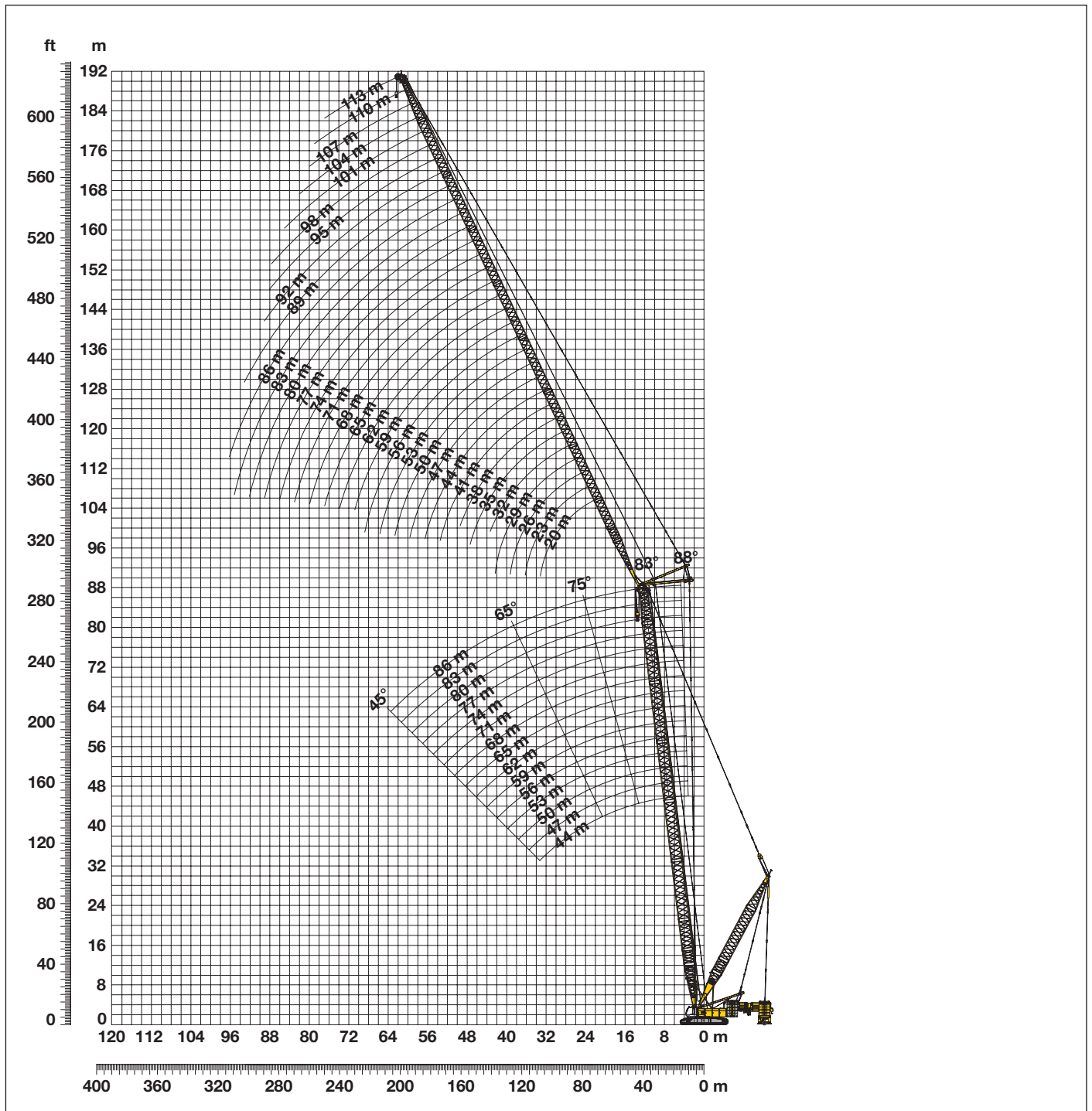
Suspended counterweight 120 t 90 t 75 t 50 t 0 t

Capacities in metric tons with luffing jib (No. 2316.xx), 124 t counterweight + 57 t carbody counterweight. Above lift chart is for reference only. For actual lift duty and complete chart with all available configurations please refer to lift chart in operator's cab or manual.

# Working range - luffing jib (No.2316.xx) $78^\circ - 15^\circ$

124 t counterweight and 57 t carbody counterweight

120 t wheeled counterweight carriage from 12.2 m - 15.8 m radius



**Boom configuration for main boom lengths (44 m - 86 m)** – see table 1 on page 4

**Jib configuration for jib lengths (20 m - 113 m)**

	Length	Amount of luffing jib extensions																																										
Luffing jib foot	10 m	1	1	1	1	1	1	1	1	1	1	1	1	1	1	1	1	1	1	1	1	1	1	1	1	1	1	1	1	1	1	1	1	1	1	1	1	1	1	1				
Luffing jib section	3 m		1		1		1		1		1		1		1		1		1		1		1		1		1		1		1		1		1		1		1		1		1	
Luffing jib section	6 m			1	1		1	1		1	1		1	1		1	1		1	1		1	1		1	1		1	1		1	1		1	1		1	1		1	1		1	
Luffing jib section	12 m					1	1	1	1	1	2	2	2	2	3	3	3	3	4	4	4	4	5	5	5	5	6	6	6	6	7	7	7	7	7	7	7	7	7	7	7	7	7	
Luffing jib head	10 m	1	1	1	1	1	1	1	1	1	1	1	1	1	1	1	1	1	1	1	1	1	1	1	1	1	1	1	1	1	1	1	1	1	1	1	1	1	1	1	1	1	1	1
Luffing jib length (m)		20	23	26	29	32	35	38	41	44	47	50	53	56	59	62	65	68	71	74	77	80	83	86	89	92	95	98	101	104	107	110	113											

# Lift chart - luffing jib (No. 2316.xx)

Main boom angle 75°

120 t wheeled counterweight carriage at 15.8 m radius

## Main boom 44 m

Radius	Jib length in (m)							
	41	53	65	77	89	95	101	113
(m)	t	t	t	t	t	t	t	t
32	52.2							
38	45.3	38.5						
44	36.5	34.6	26.9					
48	30.8	30.4	26.2	18.8				
50	28.9	28.5	25.7	18.8				
55		25.1	22.6	18.1	13.3	10.9		
60		21.6	20.2	17.2	12.8	10.7	9.1	
65		17.7	18.0	16.1	12.3	10.3	8.9	6.0
70			15.9	14.6	11.8	10.0	8.6	5.8
75			13.6	13.0	11.2	9.5	8.3	5.6
80				11.4	10.3	9.0	8.0	5.3
85				9.8	9.3	8.4	7.5	5.0
90					8.2	7.7	7.0	4.4
95					7.0	6.8	6.3	3.3
105						4.3	4.6	
110							3.3	

## Main boom 50 m

Radius	Jib length in (m)							
	41	53	65	77	89	95	101	113
(m)	t	t	t	t	t	t	t	t
33.5	50.4							
40	44.0	37.0						
44	38.2	35.3	26.1					
50	29.7	29.7	25.3	18.2				
55	24.4	26.0	23.1	17.8	12.9			
60		22.2	20.6	17.1	12.6	10.5	8.9	
65		19.0	18.6	16.1	12.2	10.2	8.7	5.8
70			16.3	14.9	11.7	9.8	8.4	5.7
75			14.4	13.4	11.2	9.4	8.2	5.5
80				11.8	10.3	9.0	7.9	5.2
85				10.4	9.5	8.4	7.5	4.9
90					8.5	7.8	7.0	4.6
95					7.4	7.1	6.5	3.5
100					6.0	6.1	5.9	2.3
105						4.9	5.0	
110							3.8	

## Main boom 62 m

Radius	Jib length in (m)							
	41	53	65	77	89	95	101	113
(m)	t	t	t	t	t	t	t	t
36.6	45.3							
42	42.3	33.5						
48	34.0	32.4	23.7					
55	25.8	27.0	22.6	16.7				
60		23.0	20.7	16.3	11.9	9.9		
65		19.4	18.7	15.7	11.6	9.7	8.3	
70		16.2	16.5	15.1	11.2	9.4	8.1	5.3
75			14.4	13.8	10.7	9.1	7.8	5.2
80			12.3	12.4	10.2	8.7	7.6	5.0
85				11.0	9.6	8.3	7.3	4.7
90				9.4	8.8	7.8	6.9	4.4
95					8.0	7.3	6.5	3.9
100					6.8	6.6	6.0	2.9
105						5.5	5.3	
110						4.1	4.4	
115							3.2	

## Main boom 74 m

Radius	Jib length in (m)							
	41	53	65	77	89	95	101	113
(m)	t	t	t	t	t	t	t	t
39.7	36.3							
46	33.1	28.3						
50	30.1	27.1	21.0					
55	25.2	24.9	20.5	15.1				
60	21.7	22.2	19.7	14.9	10.8			
65		18.7	18.7	14.4	10.6	9.0	7.6	
70		16.4	16.3	13.9	10.3	8.8	7.5	
75			13.6	13.2	9.9	8.5	7.3	4.8
80			12.0	11.7	9.5	8.1	7.0	4.6
85				10.0	8.9	7.8	6.7	4.3
90				8.9	8.0	7.2	6.4	4.0
95				7.5	7.0	6.5	5.8	3.7
100					6.2	5.8	5.2	3.1
105					5.1	5.0	4.5	2.2
110						4.1	3.8	
115							3.1	

## Main boom 80 m

Radius	Jib length in (m)							
	41	53	65	77	89	95	101	113
(m)	t	t	t	t	t	t	t	t
41.2	30.0							
48	28.3	24.6						
50	27.3	24.0						
55	24.0	22.4	18.6					
60	20.8	20.7	17.5	14.0				
65		18.0	16.5	13.6	10.0	8.4		
70		15.7	15.0	13.0	9.7	8.3	7.0	
75			13.0	12.4	9.4	8.0	6.9	4.4
80			11.4	11.1	9.0	7.7	6.6	4.2
85			9.9	9.5	8.4	7.4	6.3	4.0
90				8.3	7.5	6.8	6.1	3.7
95				7.2	6.5	6.0	5.5	3.5
100					5.6	5.2	4.8	3.1
105					4.8	4.4	4.0	2.3
110						3.7	3.3	
115						2.7	2.7	

## Main boom 86 m

Radius	Jib length in (m)							
	41	53	65	77	89	95	101	113
(m)	t	t	t	t	t	t	t	t
42.8	26.6							
48	24.9	20.7						
50	24.1	20.4						
55	22.0	18.9	16.2					
60	19.8	17.4	15.2	12.4				
65		15.8	14.2	11.9	9.1			
70		14.1	13.2	11.3	8.9	7.6	6.4	
75		12.5	11.9	10.6	8.5	7.4	6.3	3.9
80			10.6	9.7	7.9	6.9	6.0	3.8
85			9.5	8.6	7.3	6.5	5.6	3.6
90				7.6	6.6	5.9	5.1	3.3
95				6.7	5.7	5.2	4.6	3.0
100					4.9	4.5	4.0	2.7
105					4.3	3.8	3.4	2.1
110						3.4	2.7	
115							2.5	2.2

Capacities in metric tons with luffing jib (No. 2316.xx), 124 t counterweight + 57 t carbody counterweight. Above lift chart is for reference only. For actual lift duty and complete chart with all available configurations please refer to lift chart in operator's cab or manual.

# Lift chart – luffing jib (No. 2316.xx)

Main boom angle 65°

120 t wheeled counterweight carriage at 15.8 m radius

## Main boom 44 m

Radius	Jib length in (m)							
	41	53	65	77	89	95	101	113
(m)	t	t	t	t	t	t	t	t
46	43.9							
48	42.2							
50	39.2							
55	33.1	31.0						
60	28.2	26.8	23.1					
65		23.5	21.3					
70		20.9	19.2	16.4				
75			17.2	15.3	11.3			
80			15.5	14.0	11.1	9.2	7.7	
85				12.4	10.7	9.0	7.7	
90				11.3	9.9	8.7	7.5	4.7
95				9.9	9.0	8.2	7.3	4.5
100					8.3	7.6	6.8	4.3
105					7.3	6.9	6.3	3.2
110						6.2	5.7	
115							4.9	

## Main boom 50 m

Radius	Jib length in (m)							
	41	53	65	77	89	95	101	113
(m)	t	t	t	t	t	t	t	t
48	43.4							
50	42.6							
55	35.9	31.6						
60	30.6	28.8						
65		25.3	22.4					
70		22.1	20.0	15.9				
75		19.3	18.2	15.6				
80			16.3	14.6	10.9	8.9		
85			14.6	13.2	10.7	8.8	7.4	
90				11.8	10.2	8.7	7.4	4.5
95				10.7	9.5	8.3	7.3	4.4
100					8.6	7.8	6.9	4.2
105					7.9	7.3	6.5	3.7
110						6.6	6.0	2.4
115						5.7	5.4	
120							4.5	

## Main boom 62 m

Radius	Jib length in (m)							
	41	53	65	77	89	95	101	113
(m)	t	t	t	t	t	t	t	t
55	41.0							
60	35.4	30.5						
65	30.2	28.5						
70		24.8	21.2					
75		21.7	19.4	14.8				
80		19.0	17.6	14.7				
85			15.7	14.3	10.1	8.3		
90			14.1	13.0	10.0	8.3	6.9	
95				11.7	9.7	8.2	6.9	4.0
100				10.7	9.2	8.0	6.8	4.0
105					8.6	7.6	6.6	3.9
110					7.9	7.2	6.3	3.5
115						6.6	5.9	2.3
120						5.7	5.3	
125							4.5	

## Main boom 74 m

Radius	Jib length in (m)							
	41	53	65	77	89	95	101	113
(m)	t	t	t	t	t	t	t	t
60	34.6							
65	31.4	27.3						
70	28.7	26.7						
75		24.4	19.1					
80		21.4	18.8	13.4				
85		18.9	17.2	13.4				
90			15.5	13.2	9.2	7.6		
95			14.0	12.4	9.1	7.6	6.3	
100				11.5	9.0	7.5	6.3	3.5
105				10.6	8.7	7.4	6.2	3.5
110					8.3	7.3	6.1	3.4
115					7.7	7.0	5.9	3.2
120						6.4	5.7	2.1
125						5.6	5.1	
130							4.4	

## Main boom 80 m

Radius	Jib length in (m)							
	41	53	65	77	89	95	101	113
(m)	t	t	t	t	t	t	t	t
65	30.1							
70	27.8	23.9						
75	25.4	23.5	17.8					
80		22.0	17.7					
85		20.1	17.1	12.6				
90			15.9	12.6	8.6			
95			14.6	12.2	8.6	7.1	5.9	
100				11.7	8.6	7.1	5.9	
105				10.9	8.4	7.1	5.9	3.2
110				9.8	8.2	7.0	5.8	3.2
115					7.8	6.8	5.7	3.1
120					7.1	6.5	5.6	2.5
125						5.9	5.2	
130							4.7	

## Main boom 86 m

Radius	Jib length in (m)							
	41	53	65	77	89	95	101	113
(m)	t	t	t	t	t	t	t	t
63	25.0							
65	25.3							
70	24.1	19.4						
75	22.8	19.0						
80		18.1	15.0					
85		17.2	14.7	11.3				
90		16.2	14.2	11.2				
95			13.6	11.1	7.9	6.6		
100			12.9	10.8	7.9	6.6	5.4	
105				10.5	7.8	6.5	5.4	2.9
110				9.8	7.6	6.4	5.3	2.9
115					7.4	6.3	5.2	2.8
120					7.0	6.1	5.1	2.7
125						5.8	5.0	
130						5.2	4.6	
135							4.0	

Capacities in metric tons with luffing jib (No. 2316.xx), 124 t counterweight + 57 t carbody counterweight. Above lift chart is for reference only. For actual lift duty and complete chart with all available configurations please refer to lift chart in operator's cab or manual.

# Lift chart - luffing jib (No. 2316.xx)

Main boom angle 45°

120 t wheeled counterweight carriage at 15.8 m radius

## Main boom 44 m

Radius	Jib length in (m)							
	41	53	65	77	89	95	101	113
(m)	t	t	t	t	t	t	t	t
67.6	30.1							
70	29.9							
80		22.2						
85		19.8						
90			16.3					
95			14.8					
100				11.9				
105				10.7				
110					8.5			
115					7.8	7.2		
120						6.6	5.8	
125						5.9	5.2	
130							4.6	2.0

## Main boom 50 m

Radius	Jib length in (m)							
	41	53	65	77	89	95	101	
(m)	t	t	t	t	t	t	t	
71.9	27.7							
75	26.3							
85		21.4						
95			16.0					
100			14.6					
105				11.6				
110				10.6				
115					8.3			
120					7.7	7.0		
125						6.5	5.6	
130							5.1	
135							4.5	

## Main boom 62 m

Radius	Jib length in (m)						
	41	53	65	77	89	95	101
(m)	t	t	t	t	t	t	t
80.3	21.4						
85	19.9						
95		16.1					
100			13.8				
105			12.8				
110				10.8			
115				10.0			
120				9.3	7.9		
125					7.5	6.4	
130					6.9	6.4	5.2
135						5.8	5.2
140							4.8

## Main boom 74 m

Radius	Jib length in (m)						
	41	53	65	77	89	95	101
(m)	t	t	t	t	t	t	t
88.8	16.0						
90	15.8						
100		12.4					
105		11.5					
110			9.6				
115			8.8				
120				7.1			
125				6.5			
130					4.8		
135					4.3	3.8	
140					3.8	3.3	2.7
145						2.9	2.2

## Main boom 80 m

Radius	Jib length in (m)						
	41	53	65	77	89	95	
(m)	t	t	t	t	t	t	
93.1	13.7						
95	13.3						
105		10.3					
110		9.5					
115			7.7				
120			7.0				
125				5.3			
130				4.8			
135					3.2		
140					2.8	2.3	
145					2.3		

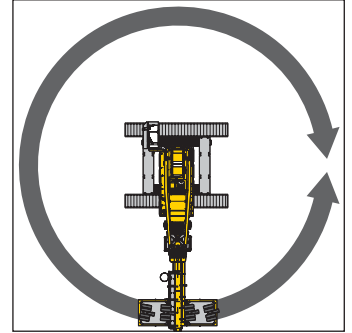
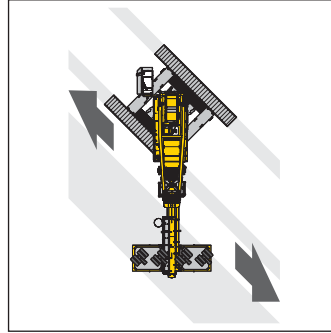
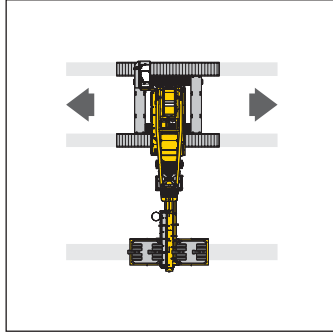
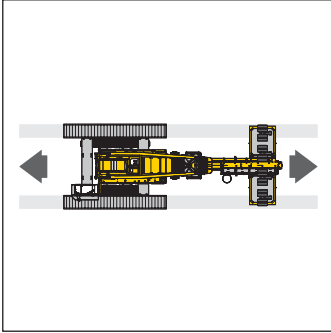
## Main boom 86 m

Radius	Jib length in (m)				
	41	53	65	77	
(m)	t	t	t	t	
97.3	11.4				
100	10.9				
110		8.2			
120			5.8		
125			5.3		
130				3.6	
135				3.2	

Capacities in metric tons with luffing jib (No. 2316.xx), 124 t counterweight + 57 t carbody counterweight. Above lift chart is for reference only. For actual lift duty and complete chart with all available configurations please refer to lift chart in operator's cab or manual.

# Drive options

## Wheeled counterweight carriage



## Carriage with steerable axles

## Carriage with blocked steering axle

